



Aquarius 23" Laundry Single - 12" Deep

Model Code: AQC130U-12-S

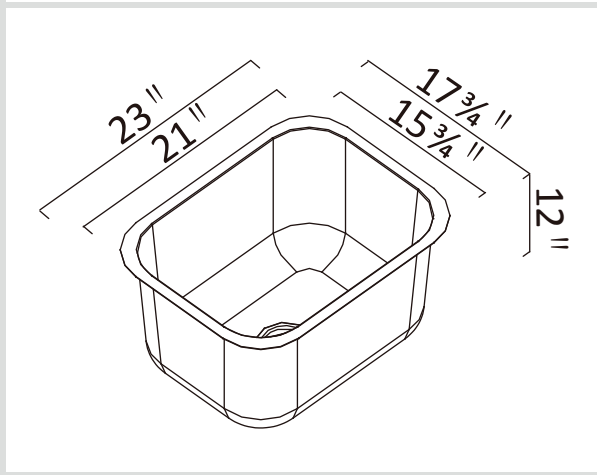
Included Accessories

UMD	WK-06-40 CUPC	

Optional Accessories

ESC400		

Dimensions



Specifications

Description	Single bowl 12" laundry sink
Overall Sink Size	23" x 17 3/4" x 12" deep
Bowl Dimensions	21" x 15 3/4" x 12" deep
Installation	Undermount
Thickness	16 ga
Material	Stainless steel SUS304

Installation

Fixings	Undermount clips supplied
Template	zomodo.ca/product/aqc130u-12
Min Cabinet Size	27"
Waste Holes	1 x 3 1/2" round Compatible with waste disposal
Sealing Strip	N/A

Plumbing

Waste Fittings	1 x (3 1/2" x 1 1/2") basket waste included
----------------	---

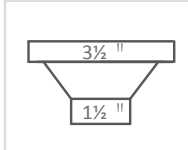
Packaging

Carton Type	5-Pack or Single Box Option
Gross Weight	5-Pack - 50lbs Single Box - 7lbs
Carton Size	5-Pack 25% x 23 3/8" x 19 1/8"

SURFACE FINISH



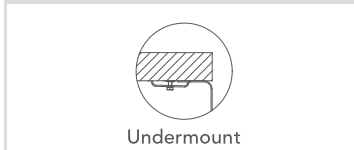
WASTE KIT



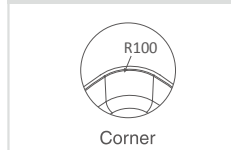
MATERIAL



INSTALLATION OPTIONS



PROFILE



Limited 25 year Warranty: TradeSinks Stainless Steel Sinks: Décor Living Innovations Inc. hereafter referred to as Décor, is pleased to offer a limited 25 year warranty with all TradeSinks sinks used in normal domestic installations. Décor warrants its sinks to be free from all manufacturing defects in material and workmanship. Décor will repair or replace (at Décor's discretion), at no charge, excluding labour, any sink supplied by Décor that is proven to be defective under normal use. Please visit www.deccor.ca to see full Terms & Conditions.

TradeSinks Product Certification: All TradeSinks pressed sinks and waste kits sold in Canada are CSA approved. All TradeSinks sinks are tested and exceed the requirements of CSA standard ASME A112.19.3-2008/CSA B45.4-08 - Stainless steel plumbing fixtures. Our Waste kits are tested and exceed the requirements of cUPC Standard. Our faucets are tested and exceed both cUPC and CSA standards.