

ZEHN 3-WAY THERMOSTATIC SHOWER SYSTEM

SET.Z3.320.310

Components Included

- **VE.320** - Thermostatic valve with integrated 3-way diverter
- **TM.Z3.320** - Trim for 3-way thermostatic valve
- **SH.09.0808** - 8" round full brass shower head
- **WA.09.16** - 16" wall mount shower arm with ½" male NPT connection
- **BH.09.05** - 27" sliding shower bar with hose and 4-function hand shower (HS.09.05)
- **EC.09.01** - Round brass elbow connector with ½" female NPT connection
- **TS.09.07** - 8" brass tub spout ½" female NPT connection

Available Finishes

- Chrome (CC)
- Matte Black (MB)
- Polished Nickel (PN)
- Matte Gold (MG)
- Chrome / Matte Black (CB)
- Stainless Steel / Matte Black (SB)
- Polished Nickel / Matte Black (PB)
- Matte Gold / Matte Black (GB)

(Model Pictured: Chrome)

Codes / Standards

- Uniform Plumbing Code (UPC®)
- ASME A112.18.1/CSA B125.1
- ASSE 1016

Warranty

- Limited lifetime warranty against all manufacturing defects to the original consumer purchaser (see full warranty for more details)

Please note that this shower kit is also available with a 4" ceiling arm (**CA.02.04**) & 8" ceiling arm (**CA.02.08**)

4" ceiling arm Configuration - **SET.Z3.320.314**

8" ceiling arm Configuration - **SET.Z3.320.318**



ZEHN

3-WAY THERMOSTATIC VALVE & TRIM WITH 3-SPOKE HANDLES

VT.Z3.320

Description

- **VE.320** - 1/2" thermostatic valve with 3-way diverter
- **TM.Z3.320** - Trim for 3-way thermostatic valve
- 5 positions

Flow Rate

- 6.1 gpm / 23 lpm / 60 psi

Cartridge

- CE.1401.TT - cartridge
- CE.1708.DR - diverter

Available Finishes

- Chrome (CC)
- Matte Black (MB)
- Polished Nickel (PN)
- Matte Gold (MG)
- Matte Black / Chrome (CB)
- Matte Black / Stainless Steel (SB)
- Matte Black / Polished Nickel (PB)
- Matte Black / Matte Gold (GB)

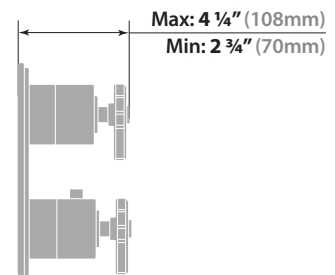
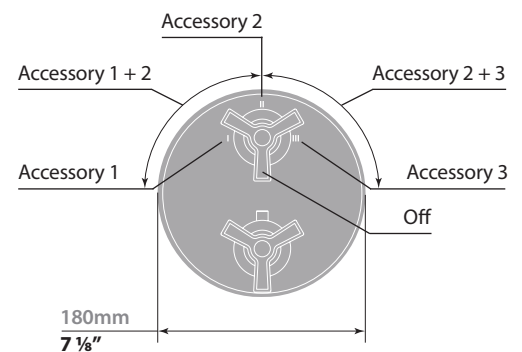
(Model Pictured: Chrome)

Codes / Standards

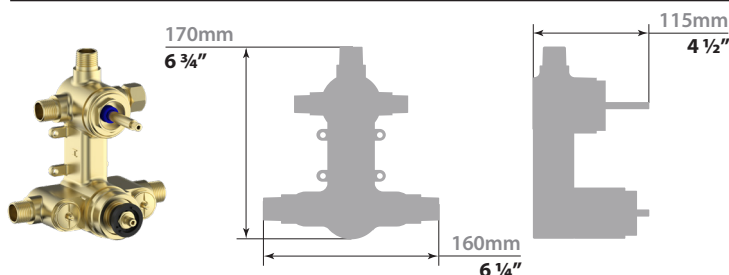
- Uniform Plumbing Code (UPC®)
- ASME A112.18.1/CSA B125.1
- ASSE 1016

Warranty

- Limited lifetime warranty
(see full warranty for details)



VE.320 - 3-Way Thermostatic Valve



3-WAY THERMOSTATIC VALVE

VE.320

Description

- Valve with thermostatic cartridge and 3-way diverter
- ½" male NPT connections

Flow Rate

- 6.2 gpm | 23.4 lpm | 60 psi

Cartridge

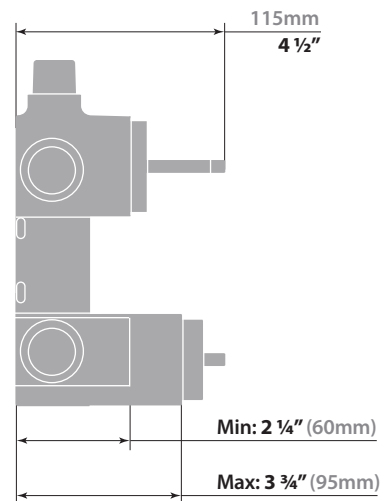
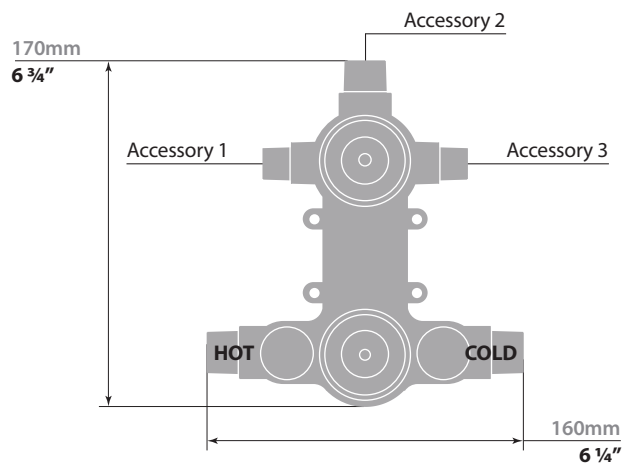
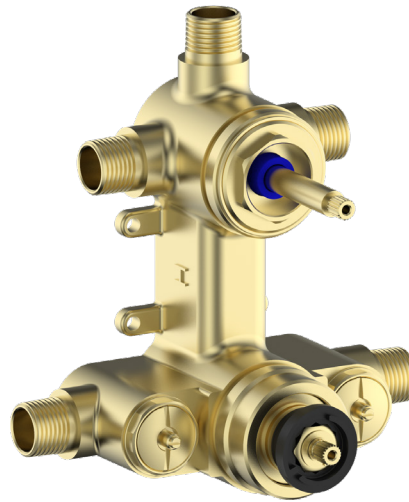
- CE.1401.TT cartridge
- CE.1408.DR diverter

Codes / Standards

- Uniform Plumbing Code (UPC®)
- ASME A112.18.1/CSA B125.1
- ASSE 1016

Warranty

- Limited lifetime warranty (see full warranty for more details)



16" WALL ARM

WA.09.16

Description

- 16" wall mount shower arm with 1/2" male NPT connection
- Round pipe with round escutcheon plate

Available Finishes

- Chrome (CC)
- Matte Black (MB)
- Polished Nickel (PN)
- Matte Gold (MG)
- Chrome / Matte Black (CB)
- Stainless Steel / Matte Black (SB)
- Polished Nickel / Matte Black (PB)
- Matte Gold / Matte Black (GB)

(Model Pictured: Chrome)

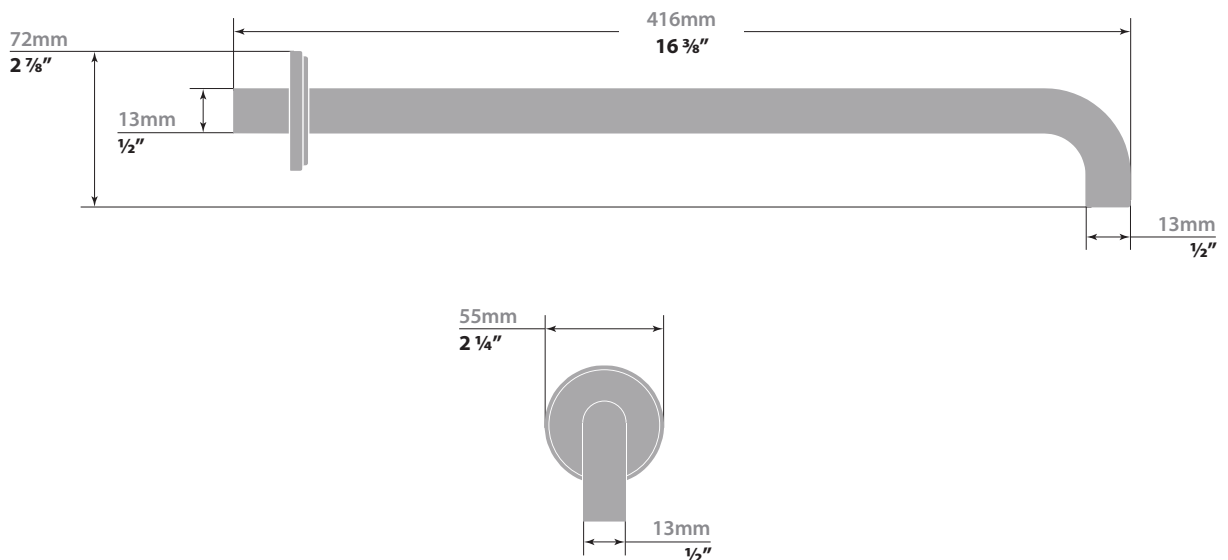


Codes / Standards

- Uniform Plumbing Code (UPC®)
- ASME A112.18.1/CSA B125.1

Warranty

- Limited lifetime warranty (see full warranty for details)



8" ROUND SHOWER HEAD

SH.09.0808

Description

- 8" round full brass shower head
- Anti-limescale technology

Flow Rate

- 2 gpm / 7.6 lpm / 60 psi

Available Finishes

- Chrome (CC)
- Matte Black (MB)
- Polished Nickel (PN)
- Matte Gold (MG)

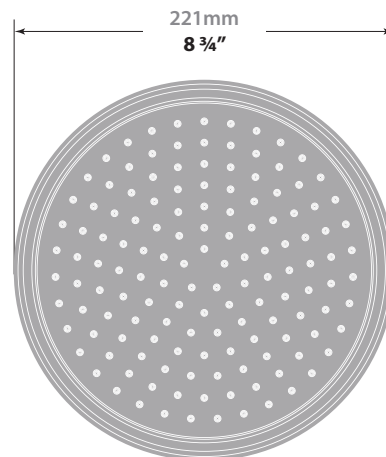
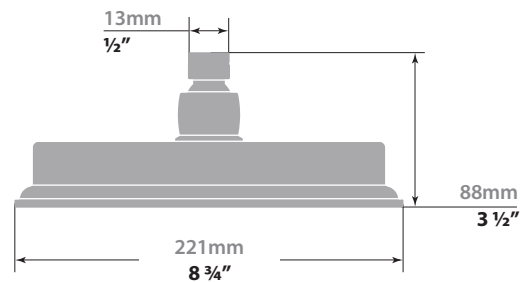
(Model Pictured: Chrome)

Codes / Standards

- Uniform Plumbing Code (UPC®)
- ASME A112.18.1/CSA B125.1

Warranty

- Limited lifetime warranty
(see full warranty for details)



ZEHN

SLIDING SHOWER BAR WITH HANDSHOWER

BH.09.05

Description

- SB.09.27 - 27" sliding shower bar
- HE.150 - 59" hose
- HS.09.05 - 4-function hand shower

Flow Rate

- 2.0 gpm / 7.6 lpm / 60 psi

Available Finishes

- Chrome (CC)
- Matte Black (MB)
- Polished Nickel (PN)
- Matte Gold (MG)
- Chrome / Matte Black (CB)
- Stainless Steel / Matte Black (SB)
- Polished Nickel / Matte Black (PB)
- Matte Gold / Matte Black (GB)

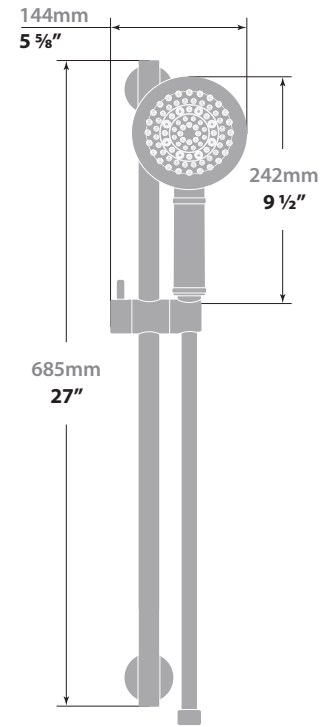
(Model Pictured: Chrome)

Codes / Standards

- Uniform Plumbing Code (UPC®)
- ASME A112.18.1/CSA B125.1
- ASSE 1016

Warranty

- Limited lifetime warranty
(see full warranty for details)



ROUND WALL SUPPLY ELBOW

EC.09.01

Description

- Round brass elbow connector with 1/2" female NPT connection

Available Finishes

- Chrome (CC)
- Matte Black (MB)
- Polished Nickel (PN)
- Matte Gold (MG)
- Chrome / Matte Black (CB)
- Stainless Steel / Matte Black (SB)
- Polished Nickel / Matte Black (PB)
- Matte Gold / Matte Black (GB)

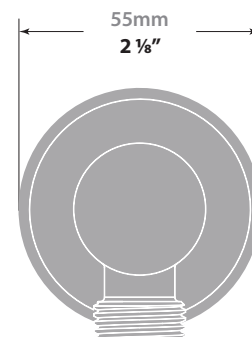
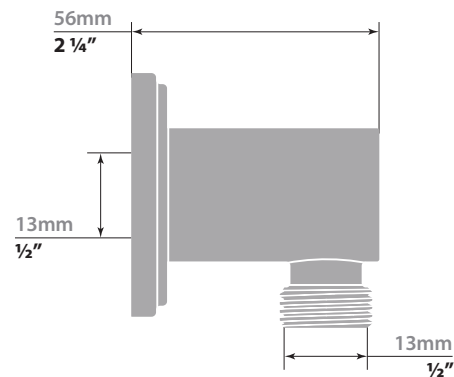
(Model Pictured: Chrome)

Codes / Standards

- Uniform Plumbing Code (UPC®)
- ASME A112.18.1/CSA B125.1

Warranty

- Limited lifetime warranty (see full warranty for details)



ZEHN TUB SPOUT

TS.09.07

Description

- Brass tub spout with 1/2" female NPT connection

Available Finishes

- Chrome (CC)
- Matte Black (MB)
- Polished Nickel (PN)
- Matte Gold (MG)
- Chrome / Matte Black (CB)
- Stainless Steel / Matte Black (SB)
- Polished Nickel / Matte Black (PB)
- Matte Gold / Matte Black (GB)

(Model Pictured: Chrome)

Codes / Standards

- Uniform Plumbing Code (UPC®)
- ASME A112.18.1/CSA B125.1
- ASSE 1016

Warranty

- Limited lifetime warranty (see full warranty for details)

