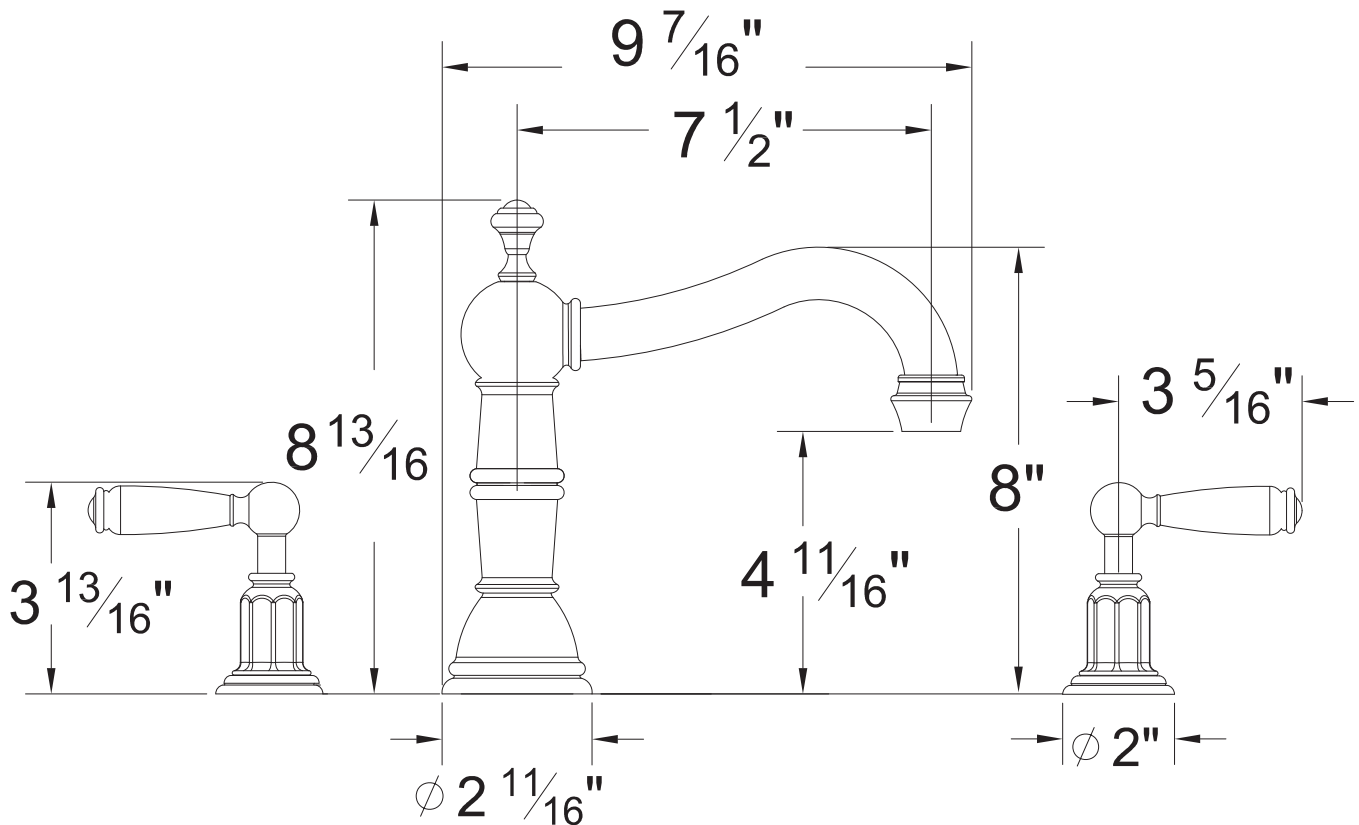


PRODUCT SPECIFICATION SHEET

ITEM # 2950EY-TM TRIM Roman tub filler

- "LL" style handles
- 16 GPM
- ROUGH NOT INCLUDED
- USE P0006 ROUGH



The measurements shown are for reference only. Products and specifications shown are subject to change without notice.

www.santecfaucet.com | P: 310.542.0063 F: 310.542.5681