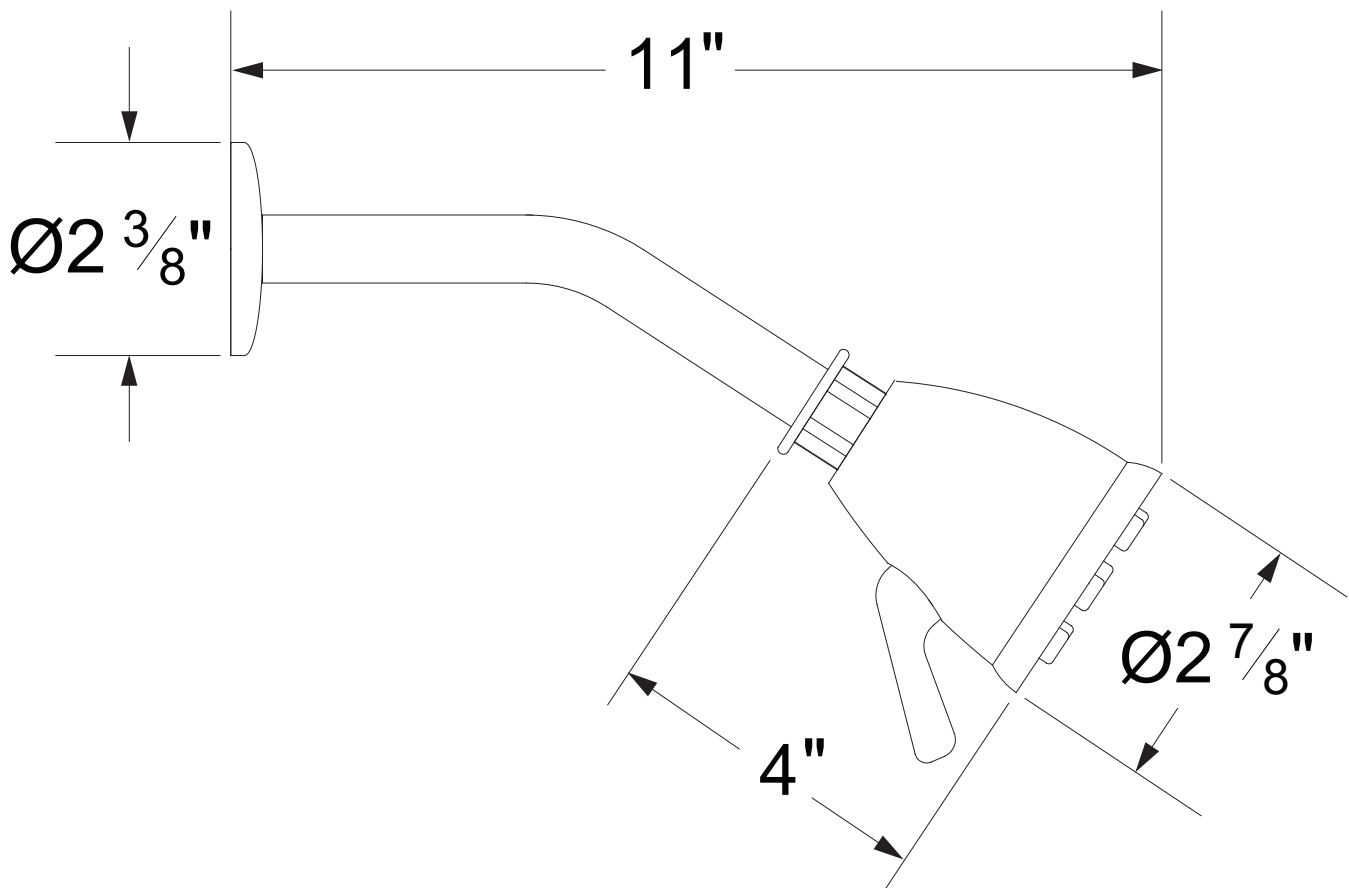


## PRODUCT SPECIFICATION SHEET

### ITEM # 707915

### Standard 6 port shower head with arm and flange

- 1/2" NPT male connection
- 2.5 GPM
- Includes flow restrictor (CA 2.0 GPM - CALGreen compliant)



The measurements shown are for reference only. Products and specifications shown are subject to change without notice.

[www.santecfaucet.com](http://www.santecfaucet.com) | P: 310.542.0063 F: 310.542.5681