



314TIP-CP

Brass Waste & Overflow, Extended w/Tip Toe

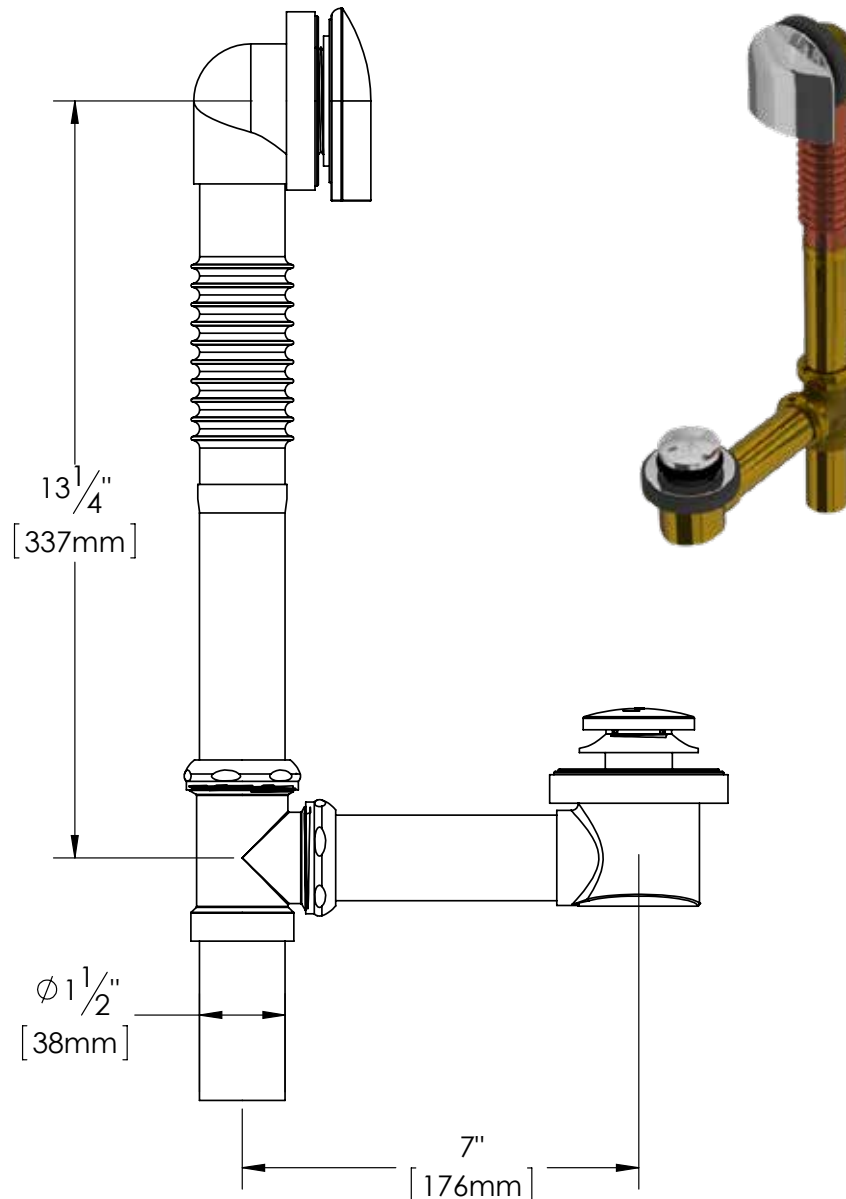
Description:

Brass Offset style 1-1/2" Waste & Overflow with Tip Toe Closure.
20G with CP Finish Trim and SlideON™ Face Plate, Large Strainer, Brass Nuts, Copper Corrugated Overflow Tube, 3-1/2" Tailpiece, Certified by CSA.

Certification*



*The "cSAus Meets UPC" mark means the product conforms to the requirements of the NPC, UPC, IPC and IRC.



Oakville Stamping and Bending Ltd.

2200 Speers Road, Unit C. Oakville, ON. Canada. L6L 2X8.

T. 905.827.0320 or toll free 1.877.314.6040 F. 905.827.6375 or toll free 1.877.827.6040.

All rights reserved. OS&B™ reserves the right to change product specifications and material or discontinue models without notice.

www.osb.ca (Canada) www.osbplumbing.com (USA)