



**Inscribe® Wading Pool®**  
Drop-in Basement Sink  
**K-2388**

**Features**

- Circular basin with sloping walls.
- Centered drain.
- No faucet holes; requires wall- or counter-mount faucet.

**Material**

- KOHLER® enameled cast iron.

**Installation**

- Vessel

**Recommended Products/Accessories**

- K-9018 P-Trap
- K-7124 Pop-Up Clicker Drain



**ADA** **CSA B651**

**Codes/Standards**

- ASME A112.19.1/CSA B45.2
- ADA
- ICC/ANSI A117.1
- CSA B651

**Lifetime Limited Warranty for KOHLER® Cast Iron Components**

See website for detailed warranty information.

**Available Colors/Finishes**

*Color tiles intended for reference only.*

Color	Code	Description
	0	White
	FF	Sea Salt™
	96	Biscuit
	47	Almond
	FD	Cane Sugar™
	NY	Dune
	95	Ice™ Grey
	G9	Sandbar
	KC	Vapour™ Blue
	KG	Vapour™ Green
	FT	Basalt
	58	Thunder™ Grey
	RR	Ember™
	20	Suede

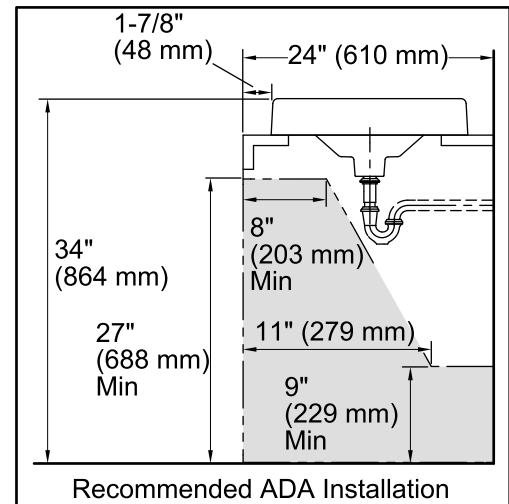
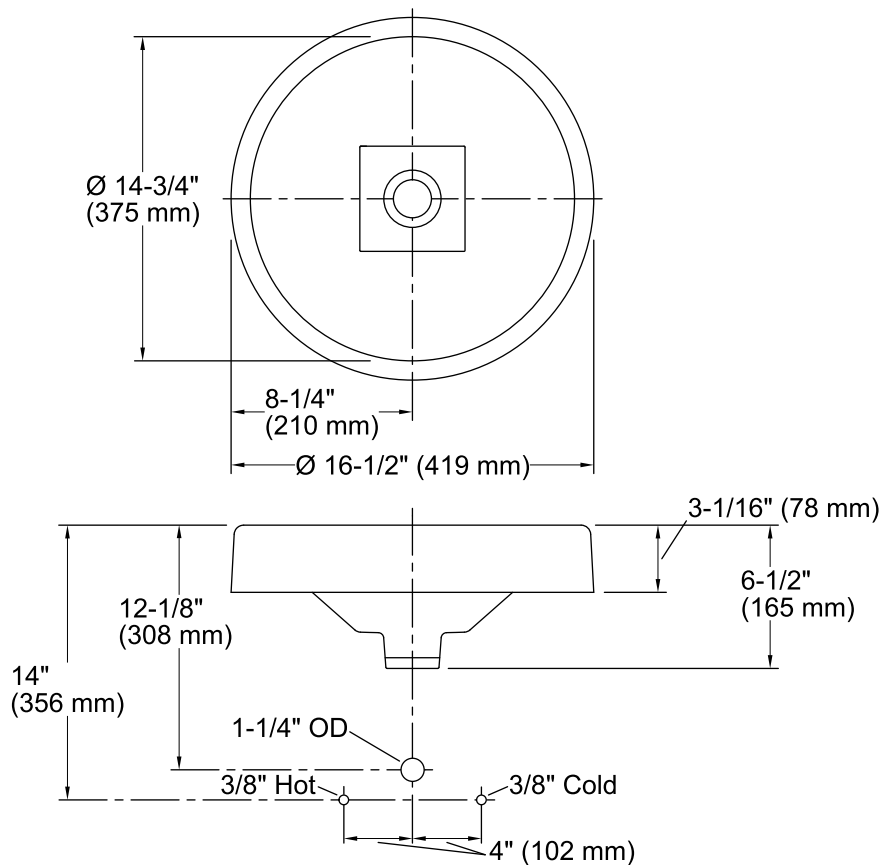
1-800-4KOHLER (1-800-456-4537)

Kohler Co. reserves the right to make revisions without notice to product specifications.

For the most current Specification Sheet, go to [www.kohler.com](http://www.kohler.com).

9-7-2019 08:38 - US/CA/MX





### Technical Information

All product dimensions are nominal.

Bowl configuration:	Single
Installation:	Drop-in
Bowl area (Only):	Diameter: 14-3/4" (375 mm) Water depth: 4-9/16" (116 mm)
Drain hole:	1-3/4" (44 mm)
Template:	1091072-7, required, included

### Notes

Install this product according to the installation instructions.

Product does not have overflow.

**NOTICE:** The countertop manufacturer or cutter must use the cut-out template provided with the product, or a current cut-out template provided by the Kohler Co. (call 1-800-4KOHLER). Kohler Co. is not responsible for errors when the incorrect cut-out template is used.

The spout must be a minimum of 5" (127 mm) long for adequate clearance into the bathroom sink when installed with the centerline, as shown. ADA, CSA B651 compliant when installed to the specific requirements of these regulations.