

RIOSE

One-Piece Toilet

C-6200

Product Features

- Vitreous china one-piece toilet
- Chair-height (16-1/2"), elongated bowl
- EPA WaterSense, high-efficiency toilet (HET)
- Anti-microbial, non-staining porcelain glaze
- 12" rough-in

Hyperion™ Flushing System

- High-performance flush, low water consumption
- Fully-glazed, 2-1/8" internal trapway
- Oversized 3" flush valve
- Large water surface area and optimized rim jets, for an exceptionally clean bowl

Accessories Included


- Toilet seat and cover, with slow-close hinges
- Solid metal trip lever
- Solid metal bolts and caps (2 each)

Quality Assurance

- Factory flush-tested
- 2-year product warranty

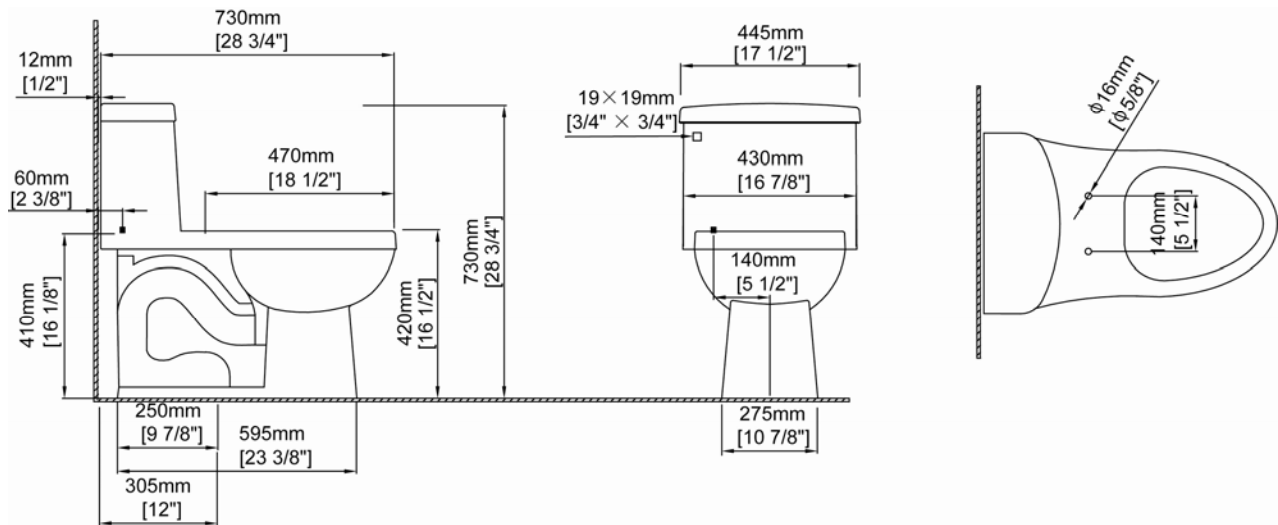


Flush Action	Water Consumption	Trapway Diameter	Water Surface Area
Hyperion Gravity Feed	1.28 gallons (4.8 liters)	2-1/8"	9" x 7"

Available Options			
Porcelain Glaze		Toilet Seat	
<input type="checkbox"/> .00 – White (Standard)	<input type="checkbox"/> .06 – Biscuit	<input type="checkbox"/> .00 – White (Standard)	<input type="checkbox"/> .06 – Biscuit
Tank Lever Style		Metal Finish	
<input type="checkbox"/> F-63 		<input type="checkbox"/> .500 – Chrome (Standard)	<input type="checkbox"/> .502 – Polished Nickel
		<input type="checkbox"/> .503 – Satin Nickel	<input type="checkbox"/> .504 – Polished Brass
		<input type="checkbox"/> .520 – White Enamel	

RIOSE

Chair-Height, Elongated One-Piece Toilet
C-6200



Product Color Options



.00 – White



.06 – Biscuit

Metal Finish Options



.500 – Polished
Chrome



.502 – Polished
Nickel



.503 – Satin
Nickel



.504 – Polished
Brass



.520 – White
Enamel

Nominal Dimensions

- 28-3/4" x 17-1/2" x 28-3/4"
- 730 x 445 x 730 mm

THIS TOILET IS DESIGNED TO ROUGH-IN AT A MINIMUM DIMENSION OF 305 mm (12") FROM FINISHED WALL TO C/L OF OUTLET. DIMENSION SHOWN FOR LOCATION OF SUPPLY IS SUGGESTED.

Compliance Certifications

Meets or exceeds the following specifications:

- ASME A112.19.2M
- CSA B45.1
- EPA WaterSense high-efficiency toilet (HET)



Meets the Americans With Disabilities Act guidelines and ANSI A117.1 requirements for accessible building facilities. Check local codes.

IMPORTANT: Dimensions of fixtures are nominal and may vary within the range of tolerance established by NSI Standard A112.19.2. These measurements are subject to change or cancellation. No responsibility is assumed for use of superseded or voided pages.