

# GEBERIT INSTALLATION SYSTEM

## Wall-Hung Lavatories

### SPECIFICATIONS

In-Wall Duofix carrier system for 2-hole wall-hung sinks. System shall fit within minimum 3" (76 mm) framing wall or plumbing chase, with wood construction or steel framing members placed 19 3/4" (500 mm) apart. Framing members should

be capable of supporting a 330 pound (150 kg) load without damage to the wall. The carrier frame shall be adjustable for fixture heights from 31 1/2" (800 mm) to 39 1/2" (1000 mm) and for mounting anchors from 2" (50mm) to 15" (380 mm). All components shall be compliant with applicable codes and product standards.

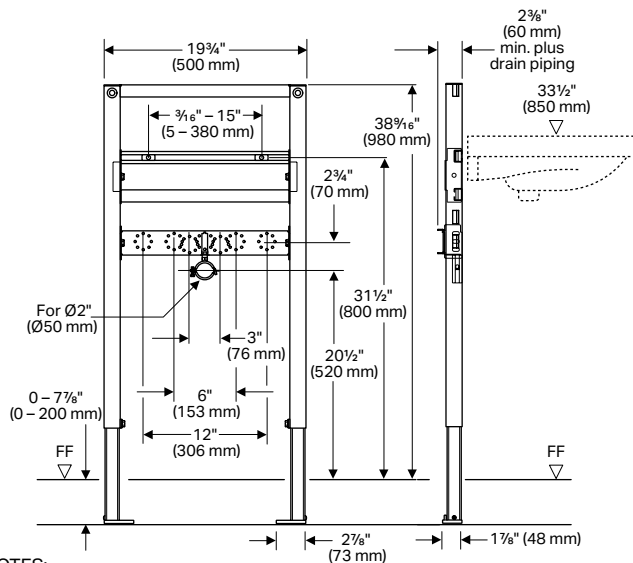
### FEATURES

- 16-gauge, powder-coated, structural-steel tubing rated to 330 lbs (150 kg) without damage to finished wall or carrier unit
- Fixture rim height adjustments from 31 1/2" (800 mm) to 39 1/2" (1000 mm)
- Frame height: 38 9/16" (979 mm)
- Installation hardware included

### WARRANTY

Limited lifetime warranty on carrier.

Model No.	Description
111.490.00.1	Carrier frame, short height (matches 111.012.00.1)



- NOTES:
1. Geberit Duofix Carrier for 2-hole wall-hung lavatory fixtures only
  2. Refer to [geberit.us](http://geberit.us) for latest list of code-approved compatible lavatory fixtures

Products marked with comply with the American Disabilities Act (ADA) when installed per the requirements of the latest ADA Accessibility Guidelines (ADAAG) and/or ICC/ANSI A117.1.



Geberit  
2100 S. Clearwater Drive  
Des Plaines, IL 60018  
USA

P 847-803-7777  
F 847-803-5454

[www.geberit.us](http://www.geberit.us)



**ARCHITECT/ENGINEER APPROVAL**

Job Name: \_\_\_\_\_

\_\_\_\_\_

Date: \_\_\_\_\_ Quantity: \_\_\_\_\_

Model Specified: \_\_\_\_\_

Variations Specified: \_\_\_\_\_

\_\_\_\_\_

Customer/Wholesaler: \_\_\_\_\_

\_\_\_\_\_

Contractor: \_\_\_\_\_

Architect: \_\_\_\_\_

\_\_\_\_\_