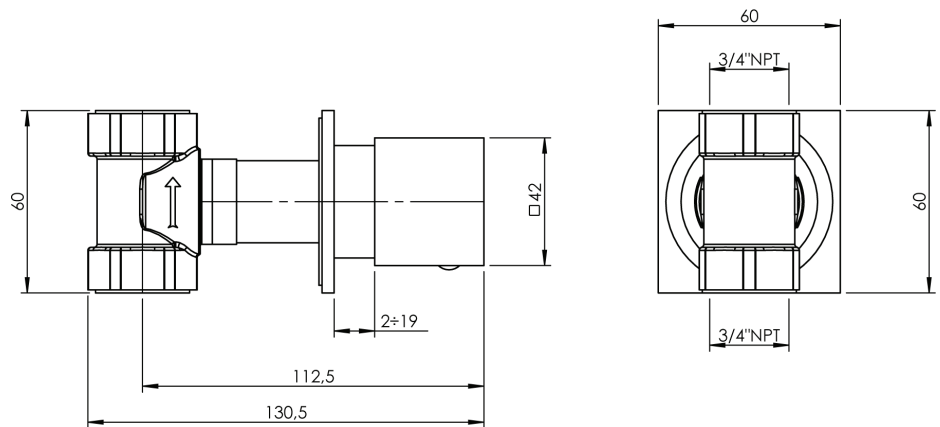
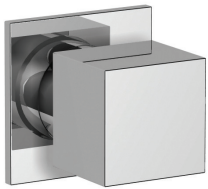


Lexus #68004T

Trim for rough-in om41200



Order om41200 rough-in separately
 $2\frac{3}{8}'' \times 2\frac{3}{8}''$

Finish: Chrome (#99)