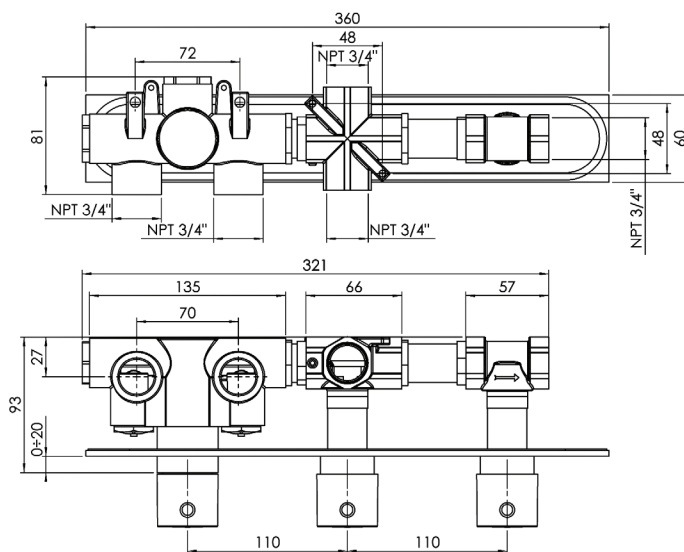
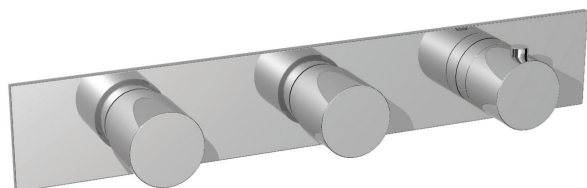


## 3 Sixty #36018T

Trim for rough-in om013



Order om013 rough-in separately  
 $14\frac{1}{8}'' \times 2\frac{3}{8}''$

Finish: Chrome (#99)