



California Faucets®

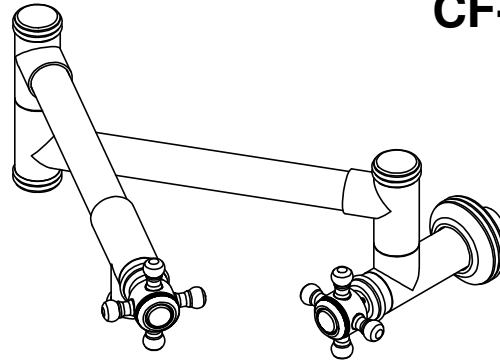
# KITCHEN

## TRADITIONAL DUAL HANDLE WALL MOUNT POT FILLER

### Features

- All brass construction
- 22-3/16" wall to center
- 1/4 turn ceramic disc cartridge(s)
- Dual jointed swing spout
- 1/2" FIP inlet quick connect for ease of installation
- Max flow rate: 4.0 gpm (15.1L/min) at 60 psi
- Over 30 finishes including 15 PVD finishes

### CF-K10-201-XX

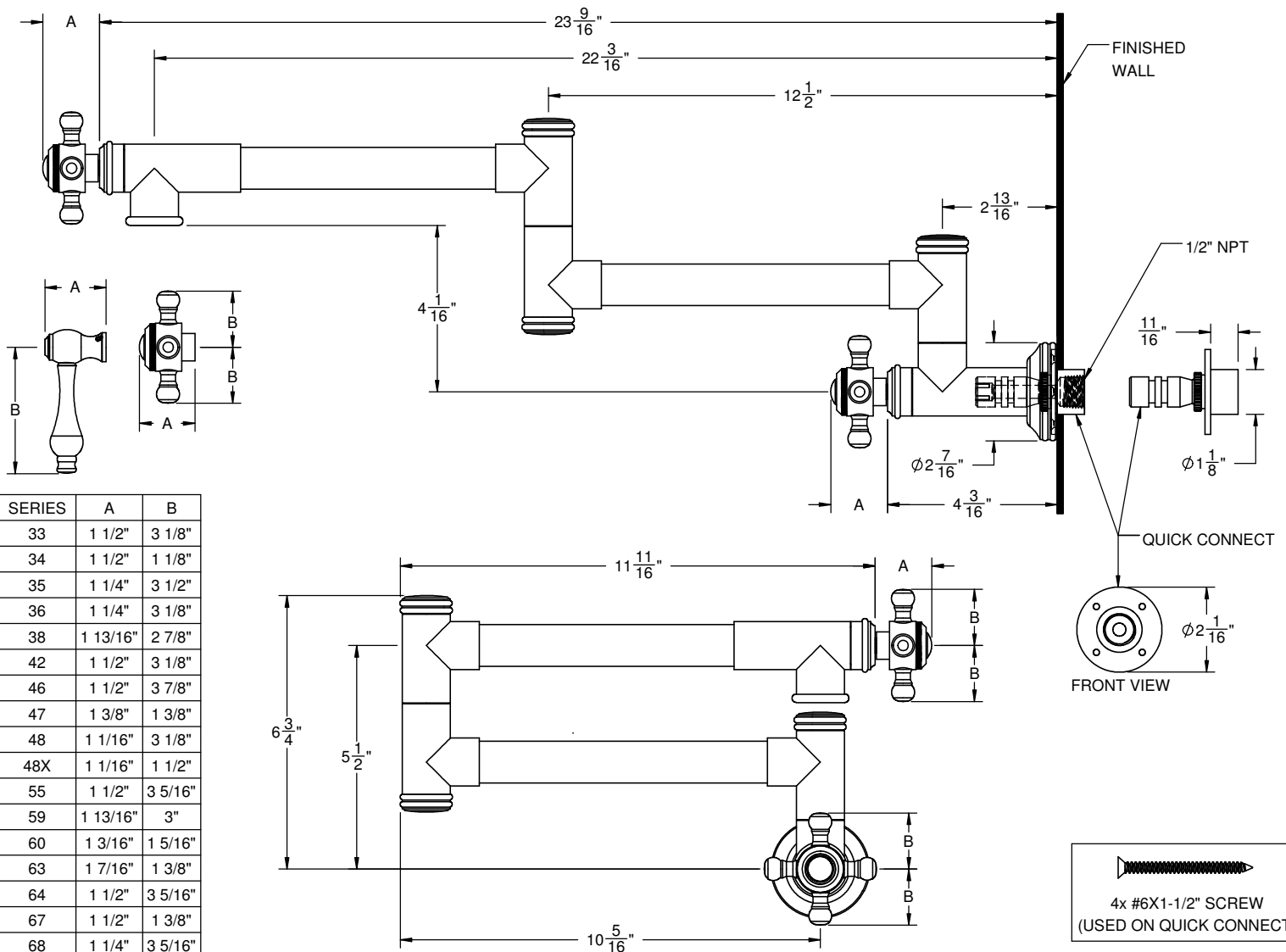


(CF-K10-201-47 SHOWN)

### Codes/Standards Applicable

Meets or exceeds the following at date of manufacture:

- ASME A112.18.1/CSA B125.1
- NSF/ANSI 61 & NSF/ANSI 372
- Commonwealth of MA
- ADA compliant (lever handles only)



SERIES	A	B
33	1 1/2"	3 1/8"
34	1 1/2"	1 1/8"
35	1 1/4"	3 1/2"
36	1 1/4"	3 1/8"
38	1 13/16"	2 7/8"
42	1 1/2"	3 1/8"
46	1 1/2"	3 7/8"
47	1 3/8"	1 3/8"
48	1 1/16"	3 1/8"
48X	1 1/16"	1 1/2"
55	1 1/2"	3 5/16"
59	1 13/16"	3"
60	1 3/16"	1 5/16"
63	1 7/16"	1 3/8"
64	1 1/2"	3 5/16"
67	1 1/2"	1 3/8"
68	1 1/4"	3 5/16"
69	1 1/4"	3 1/2"
CLEV	1 1/4"	3 1/2"
CBALL	2 1/2"	3/4"

THRU-HOLE SPECIFICATIONS		
MIN	RECOMMENDED	MAX
1-1/8"	1-1/8"	1-1/4"

SPECIFICATIONS SUBJECT TO CHANGE WITHOUT NOTICE

ALL DIMENSIONS SHOWN TO NEAREST 1/16"