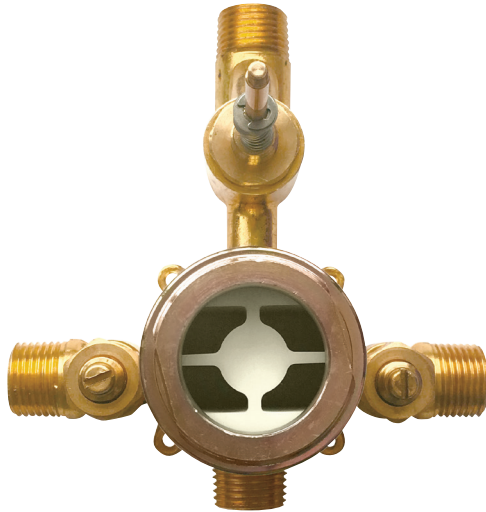


# VIA DANTE

## Pressure balance tub / shower system

#91716





## FEATURES

- Solid brass
- 1/2" male water inlets - NPT/sweat or PEX or WB
- 1/2" male water outlet (on top)- NPT/sweat or PEX or WB
- 1/2" male water outlet (on bottom)- always NPT/sweat Service check valves/stop valves
- Test cap
- Push/pull diverter
- Flow rate: 5gpm (18.9 L/m)

## WARRANTY

Limited lifetime warranty on all cartridges and also on the polished chrome finish. All other components and parts carry a limited five-year warranty.

## CODE & COMPLIANCE



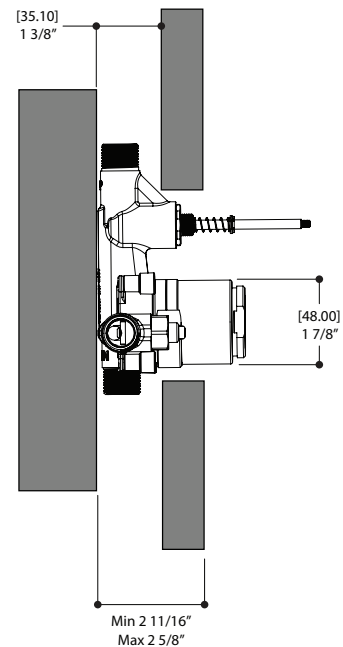
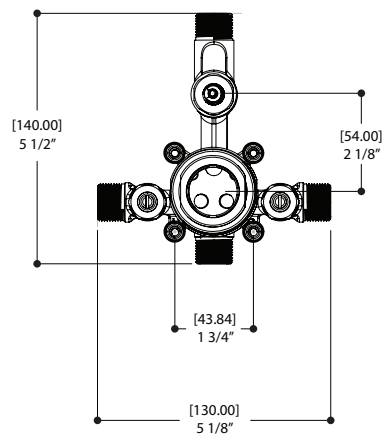
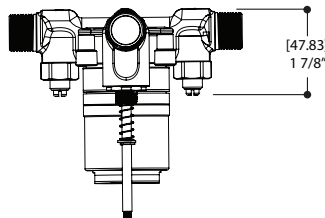
61164 NPT CONNECTION



61166 PEX CONNECTION



61168 WB CONNECTION



# VIA DANTE # 70921

pressure balance trim kit for #61164 - #61166 - #61168



## FEATURES

- Square trim
- Single control lever
- Ceramic cartridge and handle included
- Push/pull diverter
- Pressure balance valve rough not included

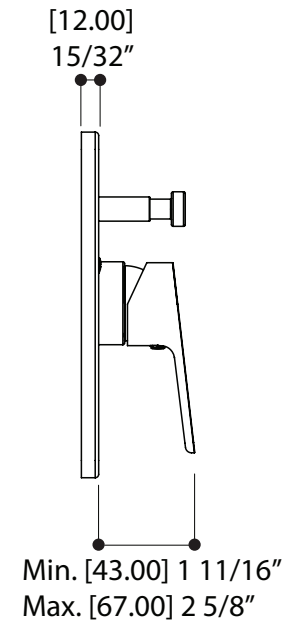
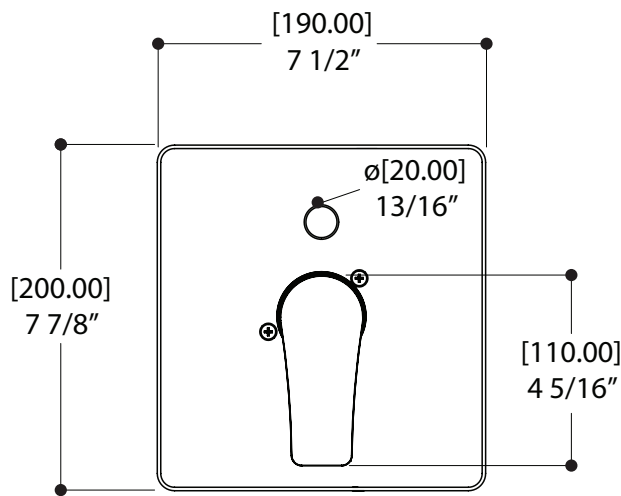
## FINISH

Polished chrome (pc)

## WARRANTY

Limited lifetime warranty on all cartridges and also on the polished chrome finish. All other components and parts carry a limited five-year warranty.

## CODE & COMPLIANCE



# ROUND SHOWERHEAD

## # 90811



### FEATURES

Triple function round showerhead (rain, massage, mist)  
 Swiveling ball joint  
 Curved shower arm with round flange  
 Reduced water-efficient flow: 2 gpm (7.5 L/min)

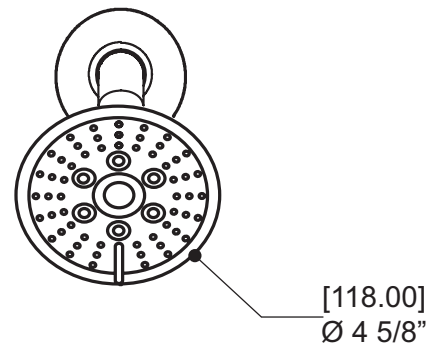
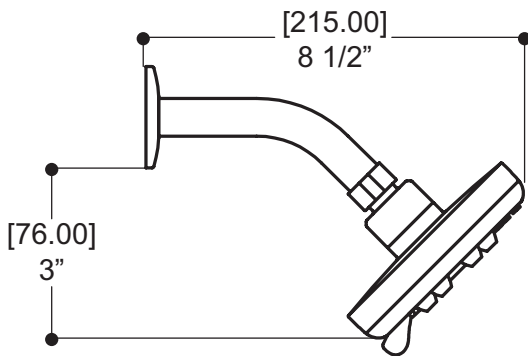
### FINISH

Polished chrome (pc)

### WARRANTY

limited lifetime warranty on the polished chrome finish. All other components and parts carry a limited five-year warranty.

### CODE & COMPLIANCE



# ROUND TUB SPOUT # 90870



## FEATURES

Round spout without diverter  
Solid brass  
1/2" female inlet - NPT

## FINISH

Polished chrome (pc)

## WARRANTY

limited lifetime warranty on the polished chrome finish. All other components and parts carry a limited five-year warranty.

## CODE & COMPLIANCE

