

## Thermostatic shower system – 2 functions

#91282



## Uniplex T .2.3 1/2" thermostatic valve with diverter 2 or 3 way



### FEATURES

- Solid brass
- German made cartridges (diverter cartridge not included)
- Service check valves / stop valves
- Optional top outlet 1/2" NPT
- Reversible service check valves with / stop valves
- Diverter test cap
- 1/2" female water inlets/outlets - NPT/sweat
- Flow rate: 6.5 gpm (24.6 L/min)

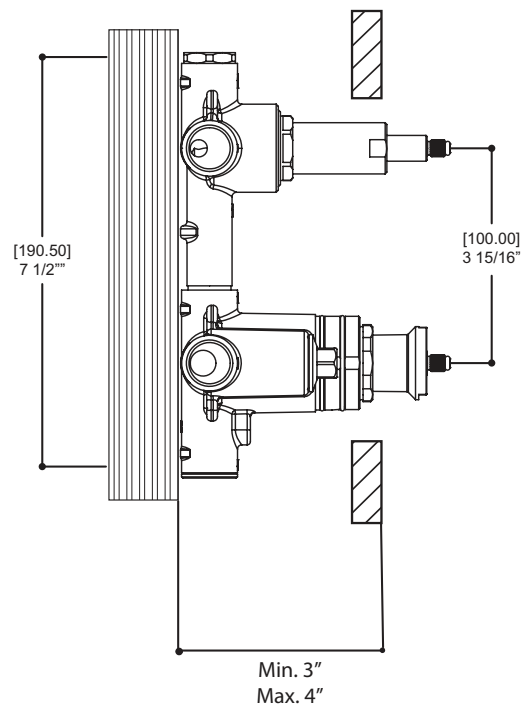
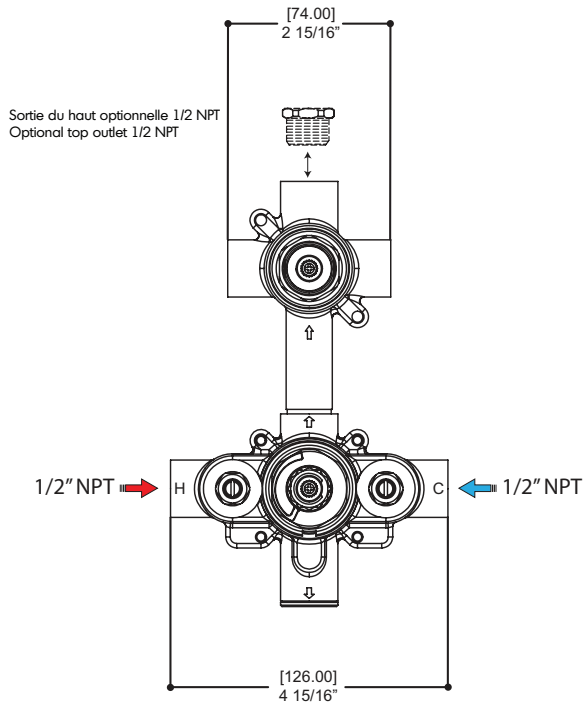
### FINISH

Polished chrome (pc)

### WARRANTY

Limited lifetime warranty on all cartridges and also on the polished chrome finish. All other components and parts carry a limited five-year warranty.

### CODE & COMPLIANCE



# RIGA

## # 20892-20882

Uniplex thermostatic valve trim kit with 2-way diverter  
 for #90801 valve



### FEATURES

- Rectangular trim
- Single temperature control
- Safety temperature stop, preset at 38 C
- German made diverter cartridge included (2-way shared #20892 or 2-way non-shared #20882)
- Handles included
- Thermostatic valve Uniplex T.2.3 not included

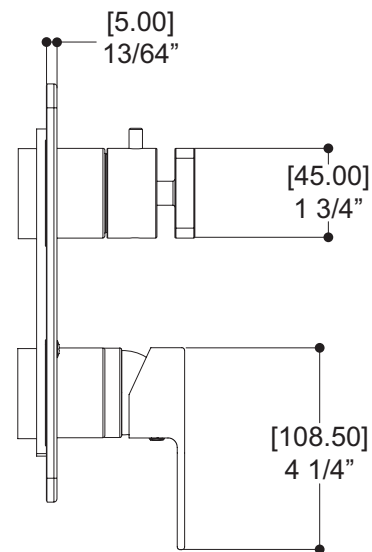
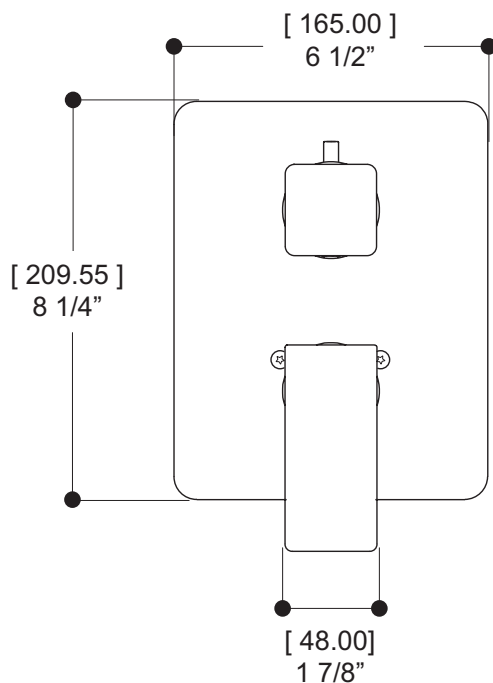
### FINISH

Polished chrome (pc)

### WARRANTY

limited lifetime warranty on all cartridges and also on the polished chrome finish. All other components and parts carry a limited five-year warranty.

### CODE & COMPLIANCE



# 16" SQUARE SHOWER ARM

## #90767



### FEATURES

16" shower arm (wall installation)  
 Solid brass  
 Square flange  
 1/2" female water inlet - NPT

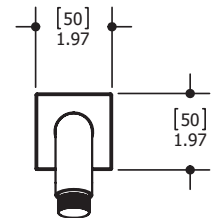
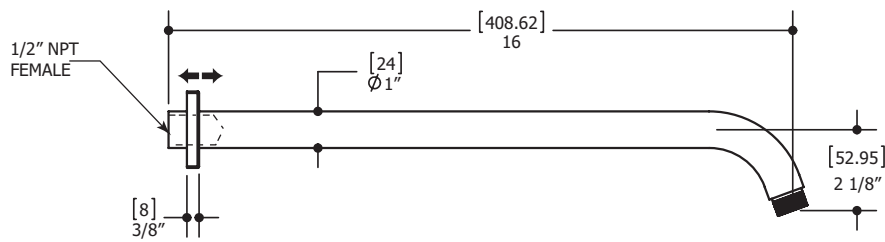
### FINISH

Polished chrome (pc)

### WARRANTY

limited lifetime warranty on the polished chrome finish. All other components and parts carry a limited five-year warranty.

### CODE & COMPLIANCE



# 4" SQUARE SHOWER ARM

## # 90857



### FEATURES

4" arm (ceiling installation)  
 Solid brass  
**Square flange**  
 1/2" female water inlet - NPT

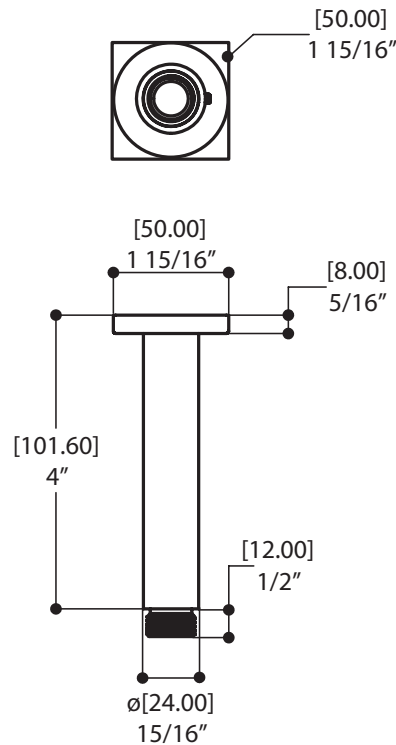
### FINISH

Polished chrome (pc)

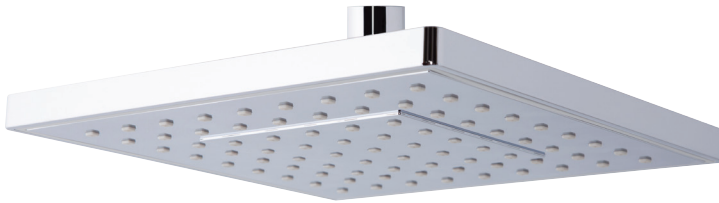
### WARRANTY

limited lifetime warranty on the polished chrome finish. All other components and parts carry a limited five-year warranty.

### CODE & COMPLIANCE



# 8" x 8" RAINHEAD # 90814



## FEATURES

- 8" x 8" rainhead
- Single function square rainhead
- Swiveling ball joint
- Reduced water-efficient flow: 2 gpm (7.5 L/min)

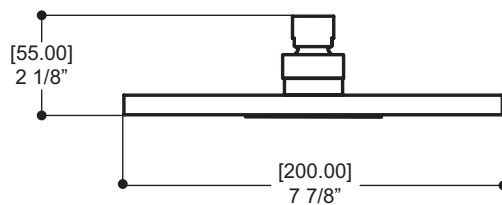
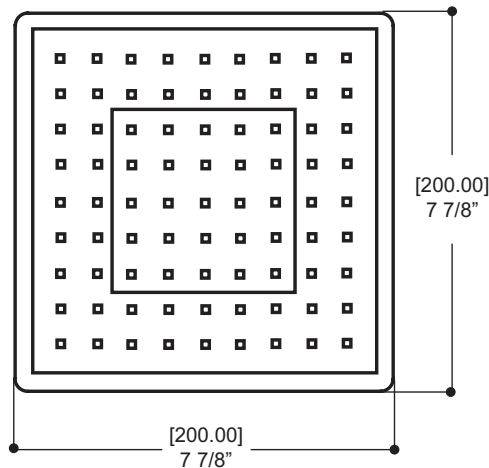
## FINISH

Polished chrome (pc)

## WARRANTY

limited lifetime warranty on the polished chrome finish. All other components and parts carry a limited five-year warranty.

## CODE & COMPLIANCE



# SQUARE SHOWER RAIL

## # 90841



### FEATURES

31.5" square rail with adjustable handshower support  
 Triple function square handshower (rain,rain/  
 massage,massage)  
 5' double interlock flexible hose, anti-torsion  
 Reduced water-efficient flow: 1.75 gpm (7.5 L/min)

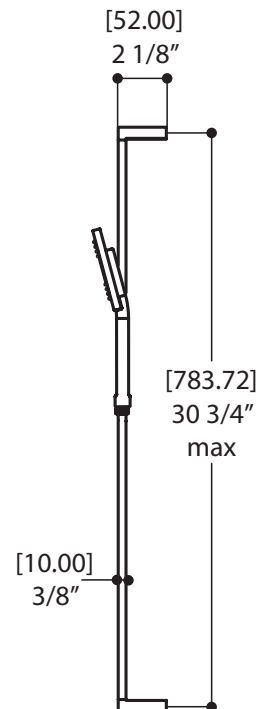
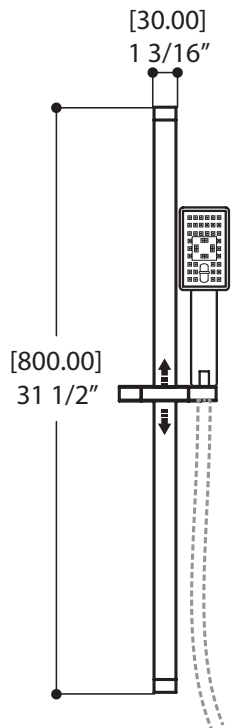
### FINISH

Polished chrome (pc)

### WARRANTY

limited lifetime warranty on the polished chrome finish. All other components and parts carry a limited five-year warranty.

### CODE & COMPLIANCE



# SQUARE WATERWAY

## # 90735



### FEATURES

Innovative 5/8" trim adjustment system to elbow installation  
 1/2" female water inlet - NPT

### FINISH

Polished chrome (pc)

### WARRANTY

limited lifetime warranty on the polished chrome finish. All other components and parts carry a limited five-year warranty.

### CODE & COMPLIANCE

