

MOC508



Montego 21.5" Single

Model Code: MOC508

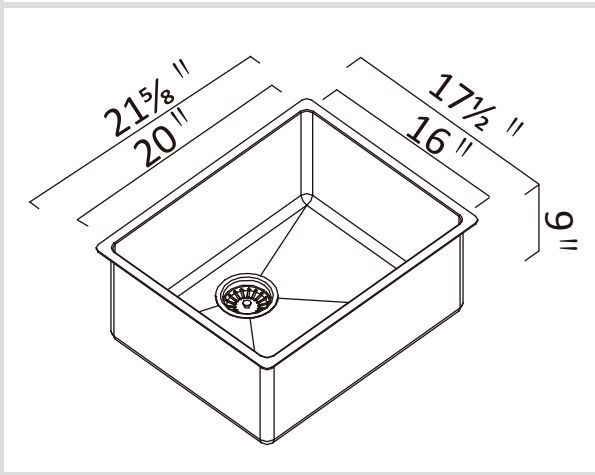
Included Accessories

UMG	WK-06-40 CUPC	CARE KIT
Sound Deadening Pads	PVC Drain Tail Piece	

Optional Accessories

DGC-508	CBB-1416C	COC-20
DTC-18	ASC406	DRC007

Dimensions



Specifications

Description	Single bowl, Sink
Overall Sink Size	21 5/8" x 17 1/2" x 9" deep
Bowl Dimensions	20" x 16" x 9" deep
Installation	Undermount
Thickness	18 ga
Material	Stainless steel SUS304

Installation

Fixings	Undermount clips supplied
Template	zomodo.ca/product/moc508
Min Cabinet Size	24"
Waste Holes	1 x 3 1/2" round Compatible with waste disposal
Sealing Strip	N/A

Plumbing

Waste Fittings	1 x (3 1/2" x 1 1/2") basket waste included
----------------	---

Packaging

Carton Type	Single Carton
Gross Weight	16 lbs
Carton Size	24 5/8" x 12 5/8" x 20 1/4"

SURFACE FINISH Microbrush	WASTE KIT 3 1/2" 1 1/2"	MATERIAL SUS 304 Stainless Steel
---	--	---

INSTALLATION OPTIONS Undermount	PROFILE R15 Corner
---	-------------------------------------

Limited 25 year Warranty: Zomodo Stainless Steel Sinks: Décor Living Innovations Inc. hereafter referred to as Décor, is pleased to offer a limited 25 year warranty with all Zomodo sinks used in normal domestic installations. Décor warrants its sinks to be free from all manufacturing defects in material and workmanship. Décor will repair or replace (at Décor's discretion), at no charge, excluding labour, any sink supplied by Décor that is proven to be defective under normal use. Please visit www.deccor.ca to see full Terms & Conditions.

Zomodo Product Certification: All Zomodo pressed sinks and waste kits sold in Canada are CSA approved. All Zomodo sinks are tested and exceed the requirements of CSA standard ASME A112.19.3-2008/CSA B45.4-08 - Stainless steel plumbing fixtures. Our Waste kits are tested and exceed the requirements of cUPC Standard. Our faucets are tested and exceed both cUPC and CSA standards.