

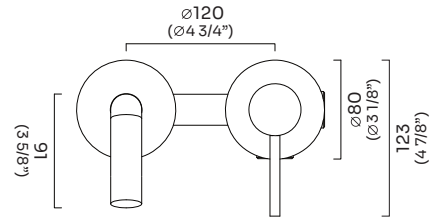
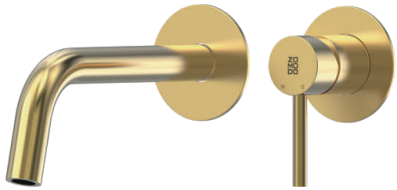
**ZO
MO
DO**

ZOMODO.CA



FAUCET INSTALLATION

**ZO
MO
DO**



Care and Maintenance

In order to ensure proper function over the lifetime of the faucet, smoothly operate the handle and pull-out hand shower during use. When installing do not over tighten the locking nut. Regularly clean the faucet with a soft, damp cloth and avoid abrasive cleaners, steel wool, and strong chemicals.

Working Specifications

Working pressure: 20-100 psi
Working temperature: 1-60°C

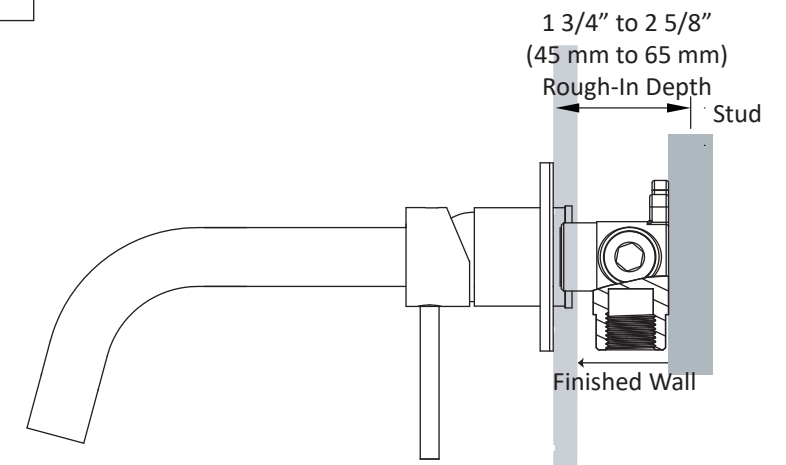
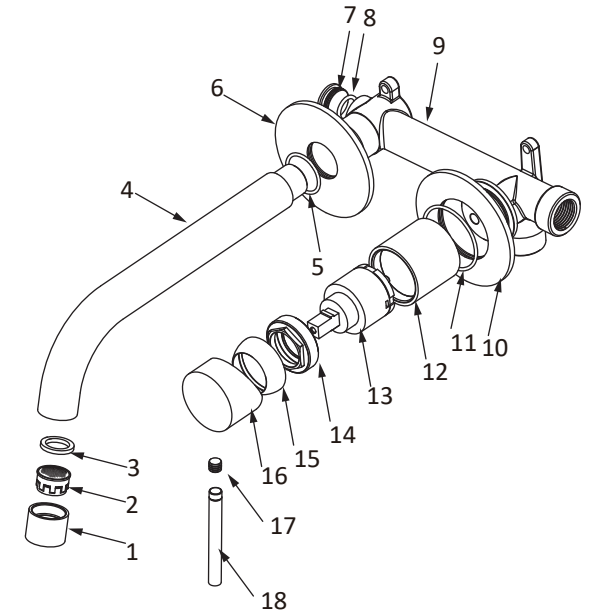
This faucet must be installed with isolating/wall valves in accordance with local installation codes. All ZOMODO faucets are strongly recommended to be installed by a licensed plumber. Improper installation may void the warranty.

Notes

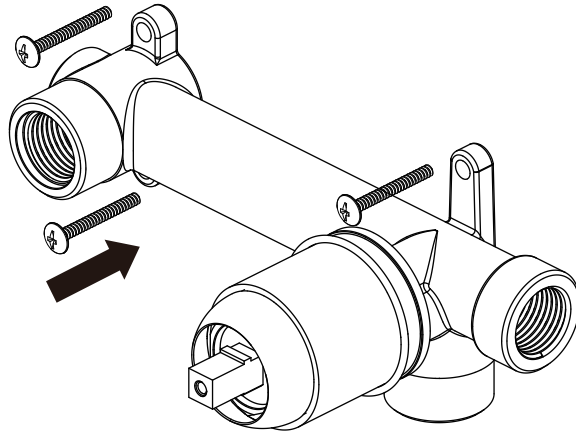
1. All pipework must be thoroughly flushed prior to installation as foreign materials may block the flow.
2. Aerator and the flow control can be removed with standard tool and cleaned.
3. If a screen-filter is fitted into the faucet, remove it and flush the pipes and faucet to remove grit. Then re-insert the screen.

Parts List

- 1 Cover
 - 2 Aerator — TSC14
 - 3 O-ring
 - 4 Spout
 - 5 O-ring
 - 6 Wall Plate
 - 7 Cover
 - 8 O-ring
 - 9 Body
 - 10 Wall Plate
 - 11 O-ring
 - 12 Cartridge Chamber
 - 13 Cartridge — TSC06
 - 14 Locking Nut
 - 15 Dress Cover
 - 16 Handle cap
 - 17 Grub Screw
 - 18 Pin Lever
- TSC27 (parts 7, 8)
 TSC28-BK/EG/RB (parts 16, 17)



ZO
MO
DO

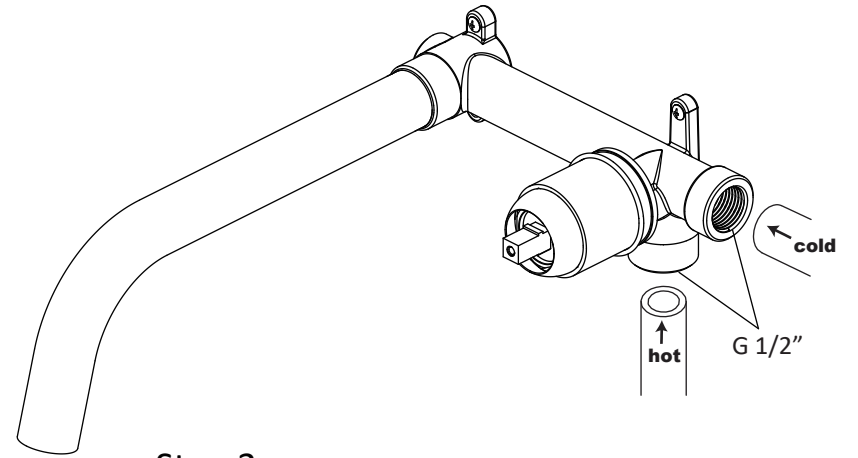


Step 1

Screw the faucet mixer body (9) in place.

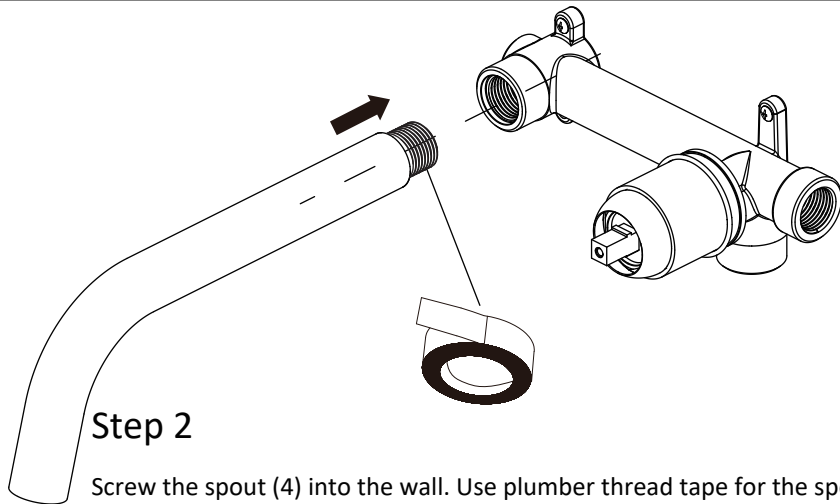
Note: Keep the spout side on the left hand, handle side on the right hand.

ZO
MO
DO



Step 3

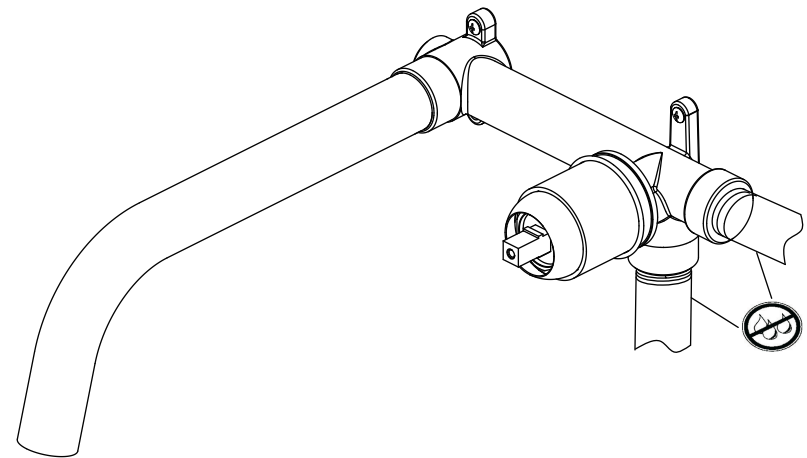
Attach the hot and cold water supply to the other female inlets of the body (9) as shown above.



Step 2

Screw the spout (4) into the wall. Use plumber thread tape for the spout attachment. Screw the spout (4) to the female inlet as shown on the diagram. Ensure the spout is screwed in firmly and the final position has the spout facing straight down.

VTC013



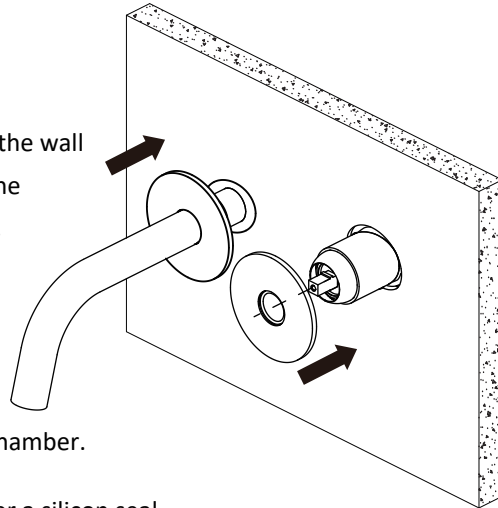
Step 4

Test the water connection and check any leakage.

VTC013

Step 5

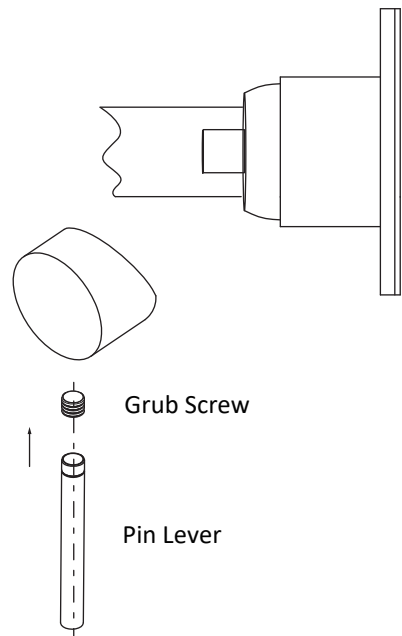
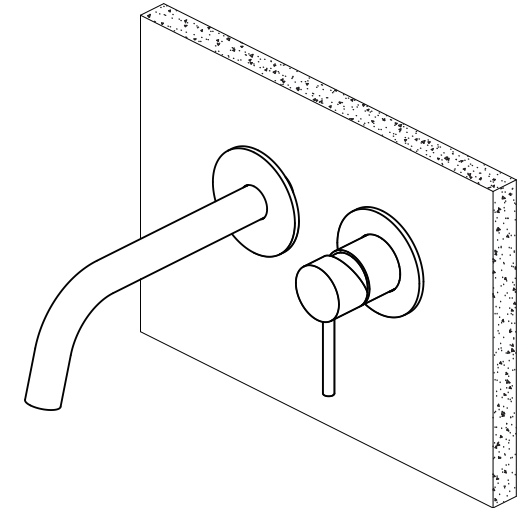
After the finished wall is completed, slide the wall plates (6) & (10) gently over the front of the spout and cartridge chamber respectively. It is recommended to apply some grease on the inside of the wall plate ring to allow for the ring to smoothly slide on. Be careful not to slide on the ring at an angle and scratch the spout or cartridge chamber.



Note: the installer should consider whether a silicon seal should be applied between the back of the plate and the wall.

Step 7

Installation completed. Test working function.



Step 6

Push the handle cap (16) against the cartridge chamber (12), tighten the grub screw (17) using a 1/8" (3.17mm) hex key. Screw the pin lever (18) in place

Grub Screw

Pin Lever

Troubleshooting

SHUT OFF WATER SUPPLIES

If faucet leaks from under handle:

- Remove pin lever (18) and tighten grub screw (17) using a 1/8" (3.17mm) hex key.

If leak persists:

- Replace cartridge (13).

If faucet leaks from spout:

- Replace cartridge (13).

If faucet exhibits very low flow:

- Remove and clean Aerator (2).