

**ZO
MO
DO**

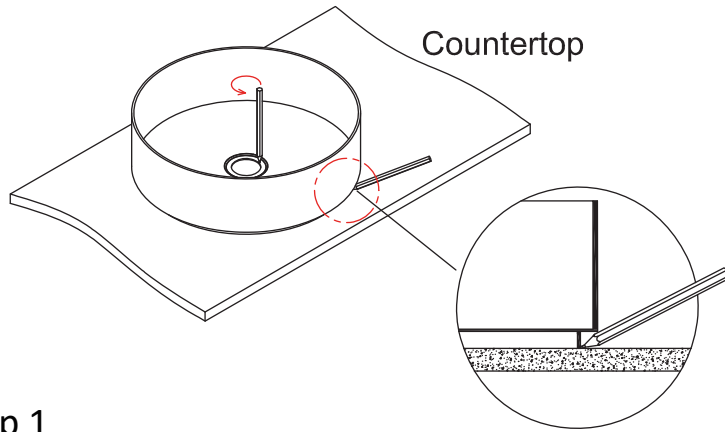
ZOMODO.CA

VESSEL INSTALLATION



**ZO
MO
DO**

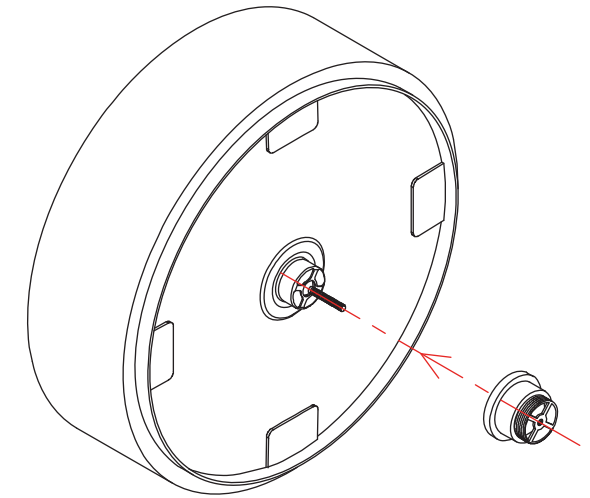
ZO
MO
DO



Step 1

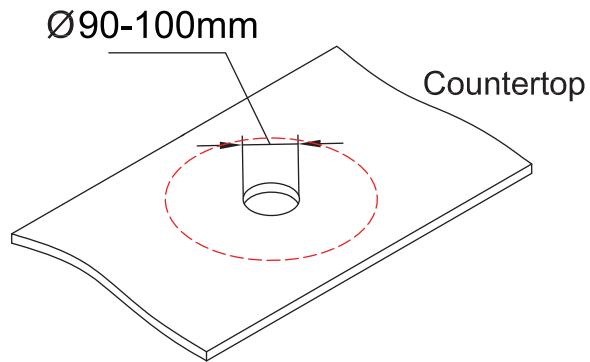
Position the basin in the desired location and with a sharp pencil outline the waste hole. Then scribe outline line around the basin ring (base).

ZO
MO
DO



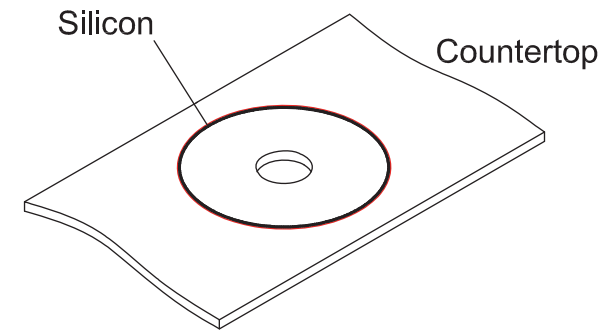
Step 3

Install the drain kit. Tighten the threaded ring (**VERY FIRMLY**).



Step 2

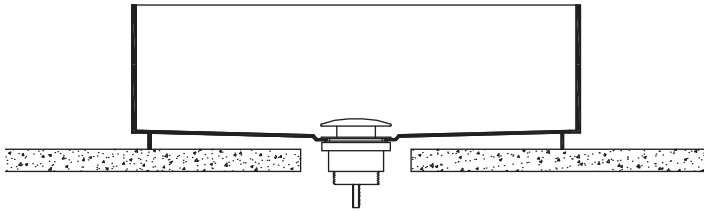
Find the hole centre and use a hole saw to cut the hole at a diameter of 90-100mm (3½"-4").



Step 4

Apply a thin bead of silicon inside the scribed ring line at about 2 to 3mm inside the line.

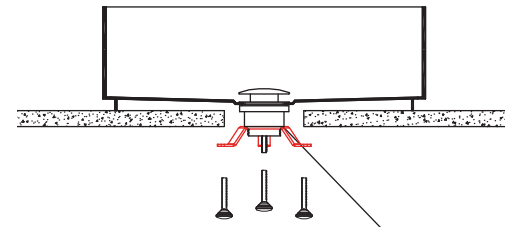
ZO
MO
DO



Step 5

Place the basin onto the countertop exactly over the scribed outline and on top of the silicon ring. (If any silicon pushes to the outside of the ring allow it to set and then use a small box-cutter knife to trim and peel away the silicon.)

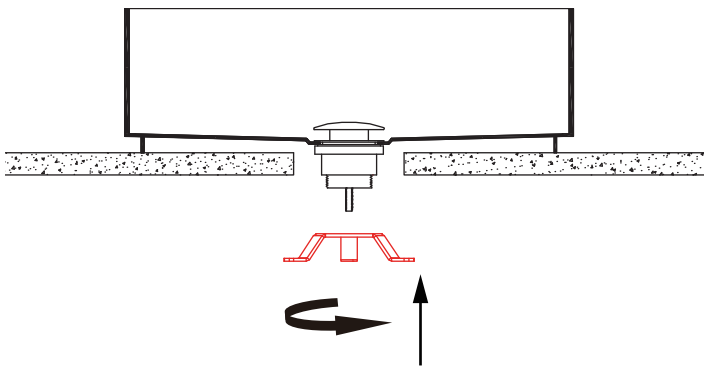
ZO
MO
DO



Screw the thumb screws
into the fastener device

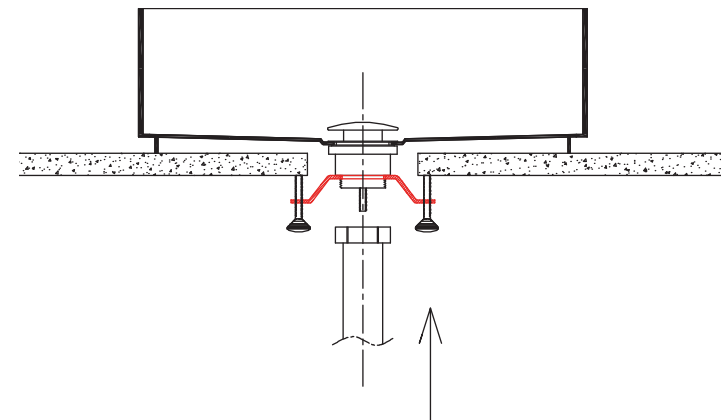
Step 7

Install three thumb screws into the fastener device and tighten the thumb screws against the countertop **DO NOT OVERTIGHTEN.**



Step 6

Screw the fastener device onto the drain kit outlet from underneath.



Step 8

Install drainage fittings (bottle trap or similar).