

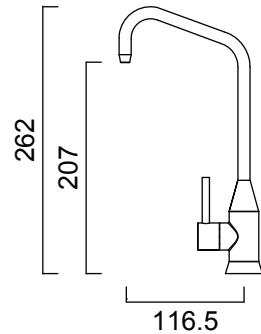
**ZO
MO
DO**

ZOMODO.CA



FAUCET INSTALLATION

**ZO
MO
DO**



Care and Maintenance

In order to ensure proper function over the lifetime of the faucet, smoothly operate the handle and during use. When installing do not over tighten the locking nut. Regularly clean the faucet with a soft, damp cloth and avoid abrasive cleaners, steel wool, and strong chemicals.

Working Specifications

Working pressure: 20-100 psi

Working temperature: 1-60°C

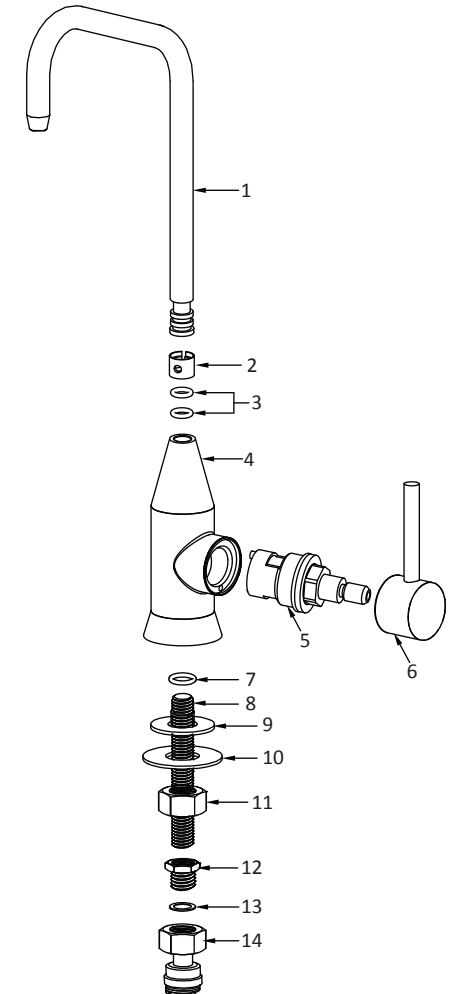
This faucet must be installed with isolating/wall valves in accordance with local installation codes. All ZOMODO faucets are strongly recommended to be installed by a licensed plumber. Improper installation may void the warranty.

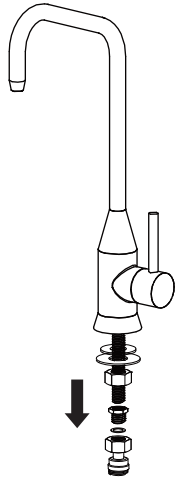
Notes

1. All pipework must be thoroughly flushed prior to installation as foreign materials may block the flow.

Parts List

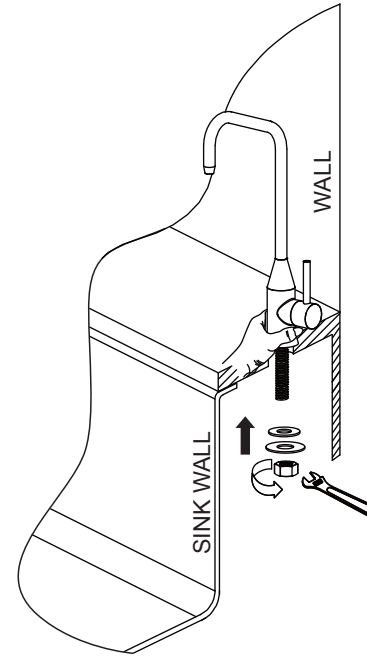
- 1 Spout
- 2 Ring
- 3 O-ring
- 4 Faucet body
- 5 Cartridge
- 6 Handle
- 7 O-ring
- 8 Threaded tube
- 9 Plastic washer
- 10 Steel washer
- 11 Locking Nut
- 12 Converter
- 13 Washer
- 14 Filter connector





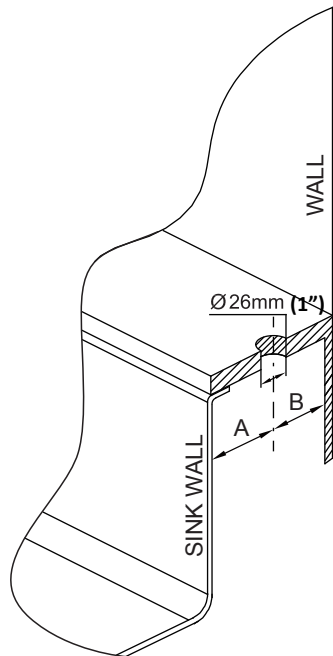
Step 1

Remove the Filter connector (14), disassemble other parts in sequence (9) (10) (11) (12) (13). Ensure threaded tube (8) is tight in the faucet body (4).



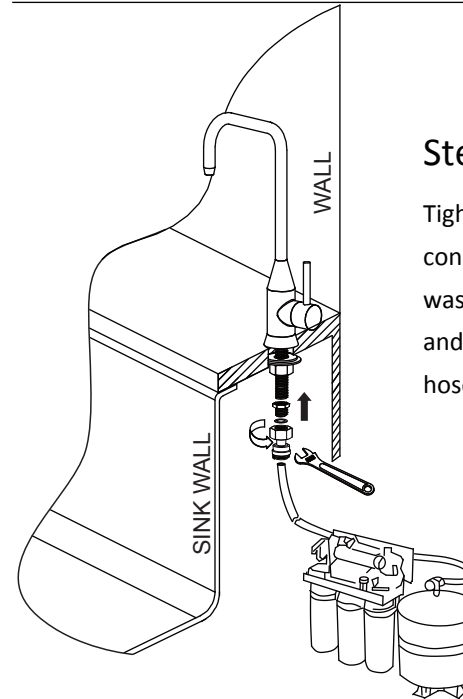
Step 3

Insert the faucet into the countertop. Then slide the washers (9 and 10) onto the threaded tube (8) of the faucet followed by the nut (11) in the order shown in the diagram. Tighten the nut (11) with a wrench and ensure the faucet is correctly aligned above the countertop.



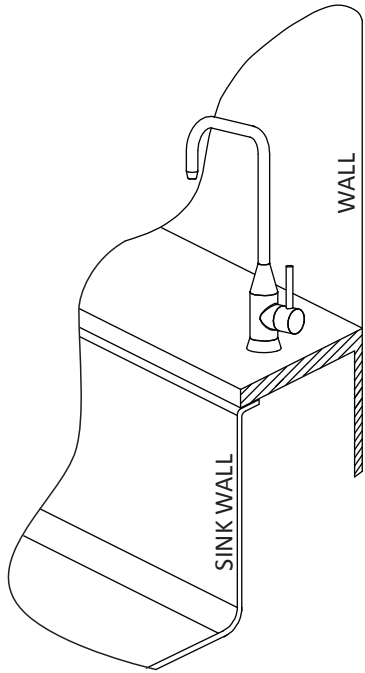
Step 2

Locate a hole centre in the countertop at least 50mm from the wall and with enough clearance to the rim/flange of the sink. Dim. A >50mm(2") and Dim. B >50mm (2") . If you need to locate the faucet within these dimensions, you should ensure enough clearance for the mounting washers and nut (9,10,11). Cut a hole 26mm diameter into the countertop .



Step 4

Tighten the converter (12) and filter connector (14) with a wrench, ensure washer (13) is between the converter (12) and filter connector (14). Then connect filter hose to the filter connector(14).



Step 5

Test the faucet flow functions, clean the water purification equipment.

Troubleshooting

1. If water is leaking from the threaded tube (8) you should ensure the O-ring (7) is secure in the groove of the faucet body and retighten. It is possible that these connections have loosened when the flexible hoses are tightened to the threaded tube.
2. If the faucet is lose or rotatable at the base as it enters the countertop you should retighten the nut (11) ensuring the handle lever assembly is correctly positioned.