

LB Four-Hole Roman Tub Filler Trim

FEATURES

- Lever handles
- Brass construction
- Includes handshower outlet and shower hose
- For use with four-hole roman tub filler rough-in (TBN01202U)
- Handshower and tub filler rough-in sold separately

REQUIRED COMPONENTS (Sold Separately)

- TBN01202U
Four-Hole Roman Tub Filler Rough-In

Recommended Handshowers

- TBW01009U4
Round Handshower 1 Mode (1.75gpm)
- TBW01011U4
Round Handshower 3 Mode (1.75gpm)
- TBW01019U2
Modern Handshower 1 Mode (2.0gpm)
- TBW01020U2
Modern Handshower 5 Mode (2.0gpm)
- TBW02016U4
Cylindrical Handshower 1 mode (1.75gpm)



COLORS/FINISHES

- #CP Polished Chrome

PRODUCT SPECIFICATION

Tub filler trim shall have a brass construction. Product shall have lever handles. Product shall include shower hose. Product shall require handshower, sold separately. Product requires TBN01202U rough-in, sold separately. Product shall be TOTO Model TBS01202U#_____.

CODES/STANDARDS

- Meets or exceeds ASME A112.18.1/CSA B125.1
- Certifications: IAPMO(cUPC), State of Massachusetts and others
- Code Compliance: UPC, IPC, NSPC, NPC Canada, and others
- ADA Compliant
- Complies with CA Prop 65 warning requirements

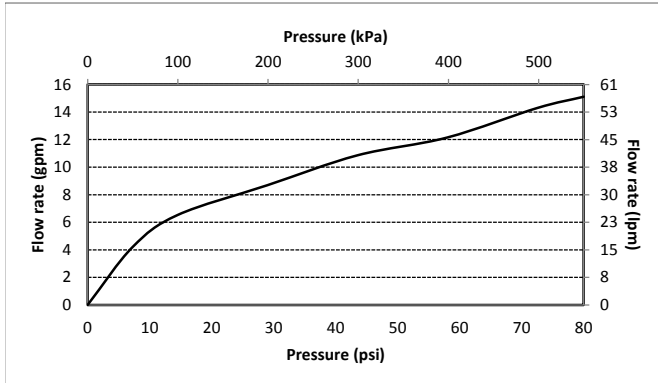


TBS01202U

LB Four-Hole Roman Tub Filler Trim

SPECIFICATIONS

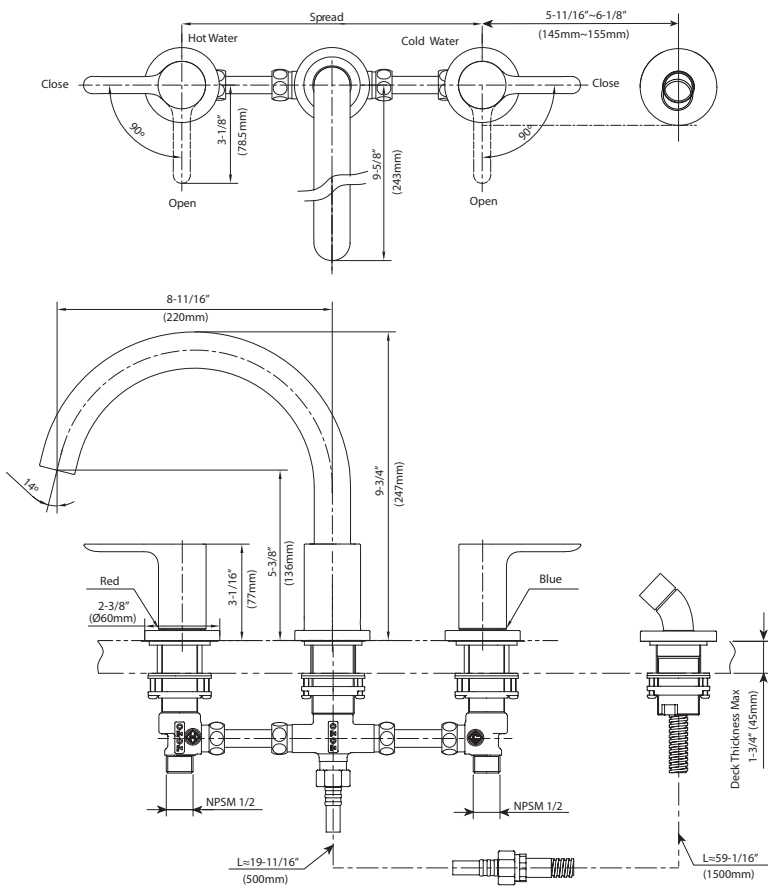
Material	Brass
Warranty	Lifetime Limited Warranty (Residential Use) One Year (Commercial Use)



INSTALLATION NOTES

- Check local codes for requirements on installing an ASSE 1070/ASME A112.1070/CSA B125.70 compliant device in series with the tub filler
- Requires hand shower (sold separately)
- Four-hole roman tub filler rough-in TBN01202U sold separately
- Please refer to the TBN01202U spec sheet for more required installation details

DIMENSIONS



(Tub filler rough-in sold separately)

TOTO®

These dimensions and specifications are subject to change without notice

Ph: (888) 295-8134 | Fax: (800) 699-4889 | www.totousa.com | © TOTO USA

SS-01490 v.01