



## HIGH PERFORMANCE HOT WATER TANK

Perrin & Rowe® Kitchen Filtered Hot Water Dispensers

**U.1998**

### FEATURES

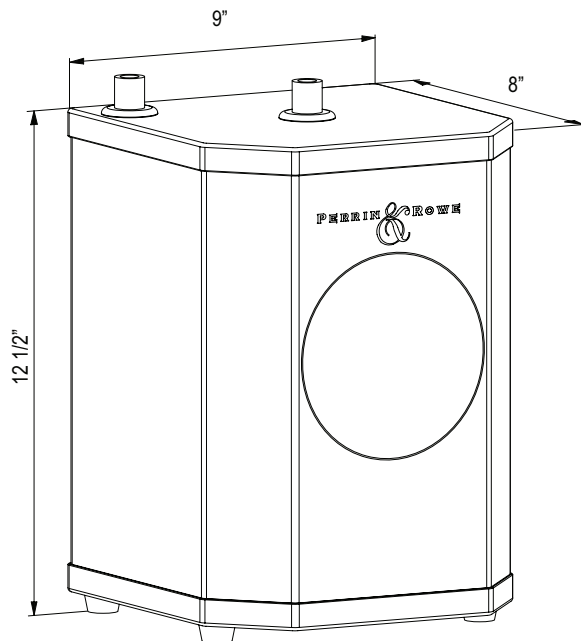
- Perrin & Rowe® high performance hot water tank

### COLORS/FINISHES

- Tank Only

### WARRANTY

- 3-year Limited Warranty on Tank



# ROHL.

Authentic Luxury for Kitchen and Bath®

[www.rohlhome.com](http://www.rohlhome.com)

## INSTALLATION INSTRUCTIONS

**PERRIN & ROWE**  
MAYFAIR LONDON

### **Electronic Instant Hot Water Appliance Installation, Operation and Care Instructions**



Please read these instructions fully before commencing the installation and operation of the Electronic Instant Hot Water Appliance

## INSTALLATION INSTRUCTIONS

We are delighted that you have chosen the electronic instant hot water appliance to complement your instant hot water Dispenser. This unique electronic instant hot water appliance will save you time and effort when requiring near boiling water for making tea and coffee and we are sure you will discover many new uses each day.

Please read and follow our step by step guide to the installation, operation and care for the electronic instant hot water appliance and you will soon be making that first cup of coffee or tea from your new appliance.

### WHAT YOU NEED TO KNOW BEFORE YOU START

For your safety and satisfaction please read all the instructions, cautions and warnings before installing or using this electronic instant hot water appliance.

This electronic instant hot water appliance is not intended for commercial use

**IMPORTANT NOTICE:** This product can cause harm if installed incorrectly and should only be installed by a competent person, if you feel for any reason unsure about the installation please contact a qualified plumber or electrician to install the appliance.

Make sure all electrical wiring and connections conform to local standards.

Make sure all water connections conform to local standards.

Make sure all electrical wiring and water connections conform to local codes. Standard 120v electrical outlet is required under the sink. If possible, use a separate circuit dedicated to your Hot Tank.

**The instant hot water appliance is an open vented system appliance. The water supply pressure should not exceed 72psi. If it does a pressure reducing valve must be installed.**

**The required water supply pressure is a minimum of 22psi to maximum of 72psi.**

The water filter must be connected to the electronic instant hot water appliance and replaced every 6 months or the guarantee will be void.

#### Equipment Required:

Tape Measure



Adjustable Wrench



## INSTALLATION INSTRUCTIONS

### SAFETY INSTRUCTIONS PLEASE READ BEFORE YOU START

The alert symbols displayed on the right point to important safety information to make you aware of potential hazards that can cause serious injury or death. Please pay special attention to the information following these warning alerts. Failure to comply with these instructions could result in property damage, serious injury or death.



Please read this chapter carefully for your own safety and the safety of those around you. Please read the safety information in this instruction, installation guide and on the product, in order to install and use the product accordingly, so as to avoid any injury. The safety information will tell you what the potential danger is, how to avoid it, and identify what will happen if you do not operate following the instruction.

**Electric Shock:** Using an ungrounded connection or improper connection of the power supply to the product can result in a serious injury or death from electrical shock.

Electric Shock: Do not remove the earthing terminal

Do not reconstruct the plug

Do not disassemble main box and any part for the power.



#### Important

The instructions are only intended as a guide, if there is any doubt then please contact a certified plumber or electrician or point of purchase and avoid using the appliance until it has been checked.

### COMPONENTS INCLUDED

The electronic instant hot water appliance is supplied with the following:

Electronic Instant Hot Water Appliance with USA IEC Power lead.

The water connections are to allow correct connections from the instant hot water Dispenser to the electronic instant hot water Appliance.

Outlet Connector 3/8" BSP to Silicon Tube

Inlet Connector 3/8" BSP

## INSTALLATION INSTRUCTIONS

### IMPORTANT SAFETY INSTRUCTIONS

#### PLEASE READ ALL INSTRUCTIONS CAREFULLY



When using all electrical appliances, basic safety precautions should always be followed including the information below:

To protect against electrical shock, do not place cord, plugs or unit near or in water or other liquids and do not operate the electronic instant hot water appliance controls or power socket with wet hands.

Check the power rating of your electronic instant hot water appliance is suitable for the power rating of the electrical circuit it is being installed on.

Do not operate or install the electronic instant hot water appliance if it appears to have any missing parts, be damaged / faulty eg damaged cord, plug.

Do not use outdoors or in a damp area or if below 32F. Humidity should stay in a range of 10% to 60%. Be sure there is no dew.

Do not use the electronic instant hot water appliance for anything other than the intended **Domestic** use only.

The electronic instant hot water appliance must be installed vertically as shown on front cover with inlet and outlet connections at the top of appliance.

Ensure the front of the unit is visible and the front temperature dial can be easily reached.

Do not attempt to open, modify or service this electronic instant hot water appliance. Repairs should be carried out by Authorised Service personnel. Opening the unit will void the guarantee.

**The required water supply pressure is a minimum of 22psi to maximum of 72psi.**

Turn off all controls before unplugging. Do not unplug by pulling the cable. To unplug, grasp the plug, not the cable.

Property Damage: To avoid the risk of flooding, regularly inspect the connections for any signs of leakage.

**This electronic instant water appliance is not intended for use by persons (including children) with reduced physical, sensory or mental capabilities, or lack of experience and knowledge, unless they have been given supervision or instruction concerning use of the appliance by a person responsible for their safety. Children should be supervised to ensure that they do not play with the electronic instant hot water appliance or instant hot water Dispenser, a safety springback handle is used to control the flow of the near boiling water for additional safety.**

## INSTALLATION INSTRUCTIONS

### INSTALLATION REQUIREMENTS

#### Electrical Requirements



A standard 120v electrical outlet is required under the sink. If possible, use a separate circuit dedicated to your Hot Tank. It is recommended that a separate circuit serving only your electronic instant hot water appliance be provided or use an outlet that can be turned on/off by a switch. This electronic instant hot water appliance is equipped with a power supply cord with a power plug. To minimise possible shock hazard, the cord must be plugged into mating, ground-type outlet, grounded in accordance with all national and local codes and ordinances. If a socket outlet is not available, it is the responsibility and obligation of the customer to have a properly grounded outlet installed by a qualified electrician.

#### Water Supply Requirements



If local codes permit, the instant hot water Dispenser feed line should be connected to the hot and cold water supply line using an isolation valve or another means for providing the hot and cold water to the Dispenser. IMPORTANT: If local codes do not permit the use of isolation valves, special feed valves can be obtained from your local plumbing supply distributor. If the water is mixed with impurity, ironing chips, grains of sand, and so on, the pipes of the electronic instant hot water appliance and Dispenser will be blocked and will void the guarantee.

#### Environment requirement



Don't install the electronic instant hot water appliance outdoors or in a location that may fall below 32F, otherwise the pipes and the Dispenser and tank will be frozen and there will be serious safety trouble, possible bodily-injury, accidents and damaged caused and the guarantee will be void. It's forbidden to wash the electronic instant hot water appliance with water directly. The installation environment should be ventilated, with protection from the direct sunshine. When installing the electronic instant hot water appliance, provide approximately 10cm to 15cm (4 - 5 ½") of air space on the sides of the unit for air circulation and approximately 2.5cm (1") from the mounting wall. The environment humidity should be in the range of 10% to 60%. Be sure there is no dew.

#### Instant Hot Water Dispenser Information



Connecting a standard Dispenser may cause injury and will damage the electronic instant hot water appliance and void the guarantee. Due to high water temperature, and for safety reasons, the electronic instant hot water appliance is not under pressure.

#### Instant Hot Water Appliance Temperature Adjustment



For temperatures above 203F:- it has been set for optimum performance in most common and typical known installations. However there are factors which may influence the performance of the instant hot water appliance such as incoming water temperature, atmospheric pressure and altitude. Should you experience any discharge of water from the spout during heat up, you can reduce the setting to compensate for this by 3F degrees at a time. If in doubt please ask your dealer for further guidance.

## INSTALLATION INSTRUCTIONS

### PREPERATION FOR INSTALLATION

Unlike other household hot water appliances, this electronic instant hot water appliance is Non Pressurised for safety reasons. For this electronic instant hot water appliance, the **Instant Hot Dispenser** is placed before the electronic instant hot water appliance, creating an “open vent” system and consequently no pressure is built up inside the appliance.

**⚠ WARNING**

**IMPORTANT: Install the Instant Hot Water Dispenser in accordance with the fitting Instructions provided with the Hot Water Dispenser.**

**⚠ WARNING**

**Preparation for the electronic instant hot water appliance installation  
IMPORTANT: Observe all local governing codes and ordinances.**

The electronic instant hot water appliance must be mounted vertically and level. Before you begin, select a proper location ideally directly under the instant hot water Dispenser or close to it to ensure the connection pipes will connect from the instant hot water Dispenser to the electronic instant hot water appliance.

The electronic instant hot water appliance is not under pressure, consequently, there is a slight delay in water flow after the hot water springback Dispenser handle has been turned on. This is normal and indicates that the electronic instant hot water appliance is functioning properly.

It is recommended that you have access to a separate power circuit serving only your electronic instant hot water appliance. See previous pages for more information on “ELECTRICAL REQUIREMENTS”.

### INSTALLATION

**Step 1– Position the Instant Hot Water Appliance** **⚠ WARNING**

Ensure the electronic instant hot water appliance is **NOT** connected to the Electric Power during installation.

Place the electronic instant hot water appliance in position and check to ensure that the instant hot water Dispenser connection pipes and the power cord will reach without being stretched.

The electronic instant hot water appliance must be positioned so the tubes from and to the instant hot water Dispenser do not twist or kink.

## INSTALLATION INSTRUCTIONS

### INSTALLATION CONTINUED

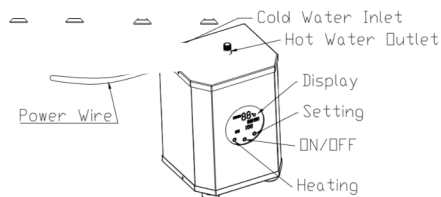
#### Step 2 – Connect Dispenser

The electronic instant hot water appliance inlet connection is a 3/8" BSP male threaded connector. The outlet connector is a 3/8" BSP male thread connector.

Check the connections type and size on the instant hot water Dispenser for the inlet and outlet connections.

Screw on the inlet and outlet pipe the correct connectors and tighten with a wrench.

Connect the cold and hot Dispenser inlet hoses to the mains in the normal way. Fitting a pressure reducing valve to the cold mains inlet if the mains pressure is above 5bar. Tighten with a wrench and move to check the complete installation for leaks.



#### Step 3 – Priming and Checking for Water Tightness

Before the electronic instant hot water appliance is plugged into the power socket it must be tested for water tightness and no leaks.

Open all water valves to allow water to flow to the instant hot water Dispenser.

Turn the spring back instant hot water handle and hold to fill the electronic instant hot water appliance this will take about 90 seconds.

**⚠ WARNING**  
**⚠ DANGER** When the electronic instant hot water appliance is full, water will flow from the instant hot water Dispenser spout. Initially as air is purged the out let may spit or splutter. To remove air from the system continue to operate the lever for 1-2 gallons or more if needed. Turn the instant hot water handle off and check all connections for water tightness and leaks.

Any leaking joint must be tightened to ensure no water leakage and the above priming undertaken again and checked for water tightness before connecting to the power socket.



## INSTALLATION INSTRUCTIONS

### INSTALLATION CONTINUED

#### Step 4 – Electrical Connection

Ensure that the installation area is dry and no water has spilled.

Connect the plug to the power socket and turn on the power socket at the switch.

The electronic instant hot water appliance display panel will now light up with the on / off button illuminated.



#### Step 5 –Electronic Instant Hot Water Appliance Operation



#### Electronic Control Display Panel




ON/OFF to control the power it will also control the display ON/OFF.





Confirmation and heating control switch



Temperature setting, 7 temperature settings: 208°F max. 206°F; 203°F; 194°F;185°F' 176°F; 167°F

To turn on the electronic instant hot water appliance touch the  button and hold for 3 seconds until the display lights up.

Touch the  button and press each time so that the temperature settings will change from 167°F to 176°F to 194°F to 185°F to 194°F to 203°F to 206°F to 208°F continue to press till the required temperature is seen.To confirm the temperature and start the elec-

tronic instant hot water appliance press the  button and the electronic instant hot water appliance will start to heat up the water and an audible beep will be heard.

## INSTALLATION INSTRUCTIONS

### MAINTENANCE AND CARE INSTRUCTIONS CONTINUED

#### Flushing the Instant Hot Water Tank



It is recommended that the user flushes through the system completely by drawing off the instant hot water and allowing to reheat and repeating the process for a further 2 or 3 times to ensure the system is fully operational.

#### Water Draw Back and Contamination in the Tank



During the filling of any vessel the user must ensure at all times that the spout outlet is not submerged in the water during the dispensing of the instant hot water and especially when the instant hot water handle is released.

#### Maintenance & Power Saving

If the electronic instant hot water appliance is not being used for long periods of time ie: over 2 days, to save power we recommend you switch off using the "ON/OFF" switch.

#### Seasonal Shutdown

The hot water system (tank and Dispenser) must not be exposed to freezing temperatures. If there is a possibility of this the system must be drained of water. Shut-off the mains supply and unplug the unit from the electricity mains and allow the tank to cool for at least 1 hour. Disconnect the inlet supply to the tank and remove the silicone hose outlet pipe, lift the unit to the sink, turn upside down and drain all the water from the tank. When re-installing follow the original installation instructions.

### NOTICE

The electronic instant hot water appliance like any water heater has a limited operational life span and will eventually fail. In order to ensure maximum protection and to avoid possible damage to any property or personal injury the electronic instant hot water appliance should be inspected regularly for any water leakage or damage.

Regularly check for any signs of water leakage, if there is any water leakage then replace any loose or split silicon tubes or flexi tails which can cause water leakage and damage.

To provide additional water security to avoid property damage the electronic instant hot water appliance can be placed in a drain pan and connected to a suitable drain outlet to avoid any water damage. The drain pan should be installed using the manufacturers installation instructions.

## INSTALLATION INSTRUCTIONS

### TROUBLE SHOOTING

PROBLEM	POSSIBLE CAUSE	WHAT TO DO
Water and Steam is spitting from the instant hot water Dispenser spout	Unit is boiling	<p>Turn instant hot water Dispenser handle on and release at least 1 pint of water.</p> <p>Adjust the water temperature on the display to a lower setting.</p> <p>Check aerator is not blocked</p> <p>Bleed system to remove any air</p> <p>Re-Prime bladder to allow correct operation.</p>
Water is not hot.	<p>The electronic instant hot water appliance is unplugged.</p> <p>The electronic display has not been powered up</p>	<p>Make sure the electronic instant hot water appliance is plugged in and connected to a grounded electric outlet</p> <p>Make sure that the circuit breaker and fuse are working correctly</p> <p>Turn on the power and touch the on / off button and then set the required temperature and confirm the heat up.</p>
Water is too hot.	Water temperature setting on display panel is set to high.	Re-set the temperature to the required temperature and confirm the heating up
Water is dripping from the instant hot water Dispenser spout.	<p>The expansion chamber isn't draining the system correctly due to very small draw off of water</p> <p>The spout is blocked</p>	<p>Draw off 1 pint of water to clear and prime the system. Avoid less than 1/3 of a pint draw offs of water. Remove and clean the aerator.</p> <p>Check silicon pipe length.</p>

## INSTALLATION INSTRUCTIONS

### TROUBLE SHOOTING CONTINUED

PROBLEM	POSSIBLE CAUSE	WHAT TO DO
Slow Flow from the spout	Water Filter may be clogged from impurities in the inlet mains water	The water filter must be changed every 6 months or this will void the guarantee
Water does not flow straight away	The electronic instant hot water appliance is design for non-pressurised operation and there will be slight delay till the near boiling water appears	After a large volume of water has been drawn off there may a slightly longer delay in the water appearing from the instant hot water Dispenser spout. Check length of silicon pipe.
No Water Flowing	Water Valves have been turned off  Inlet Pipes have been twisted or blocked	Turn on all the water valves  Ensure the pipes are not twisted or kinked to restrict flow  Remove and clean the aerator

IF YOU ARE IN ANY DOUBT THEN POWER OFF THE ELECTRONIC INSTANT HOT WATER APPLIANCE AND CALL THE SERVICE AGENT

# ROHL

Authentic Luxury for Kitchen and Bath®

www.rohlhome.com

## INSTALLATION INSTRUCTIONS

**PERRIN & ROWE**  
MAYFAIR LONDON



Customer Services :

**ROHL LLC**

3 Parker

Irvine, California

92618-1605

Phone 800-777-9762

[www.rohlhome.com](http://www.rohlhome.com)

Guarantee Void Unless The Water Filter Is Replaced Every 6 Months

Issue : PRV114112017

Rohl & Perrin & Rowe are Registered trade marks.

**ROHL**  
Authentic Luxury for Kitchen and Bath™

