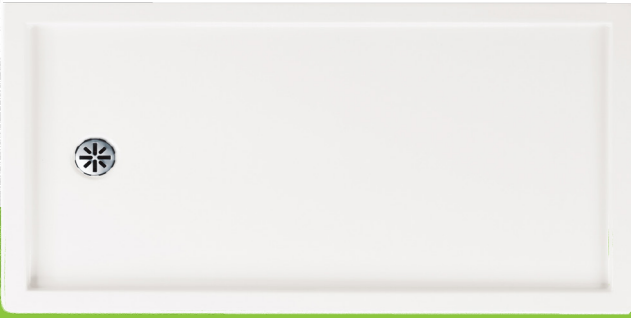


SHOWER BASES ZEN 6032

LEAK-BARRIER

32" x 59 3/4" x 3"



GENERAL OPTIONS

Acrylic Colors: White,
Biscuit* and Bone* (Allow 3 weeks delivery)

COMPATIBLE DOORS 6032 ALCOVE

AZELIA 60 (front panels only)

Chrome/Clear

SELLA 60 (front panels only)

Chrome/Clear

COMPATIBLE DOORS 6032 CORNER

AZELIA 3260 (front panels and return glass panel)

Chrome/Clear

SELLA 3260 (front panels and return glass panel)

Chrome/Clear

PRODUCT DESCRIPTION:

Contemporary style

Integrated tiling flange

Acrylic thermoformed and reinforced with fiberglass
Leak-barrier

5 days

BOX SIZE:

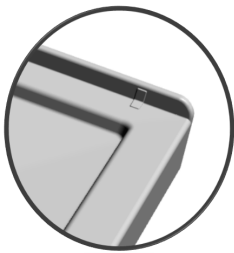
61" x 34" x 5"

NET WEIGHT:

48 lbs

GROSS WEIGHT:

53 lbs



LEAK-BARRIER



21.16312.4082



21.16312.4086



21.16312.4582



21.16312.4587



Certification **ECORESPONSIBLE**

First manufacturer of bathroom products in North America to be certified ecoresponsible.



Produits Neptune

ENTREPRENEUR

6835, Picard street, Saint-Hyacinthe (Quebec) J2S 1H3

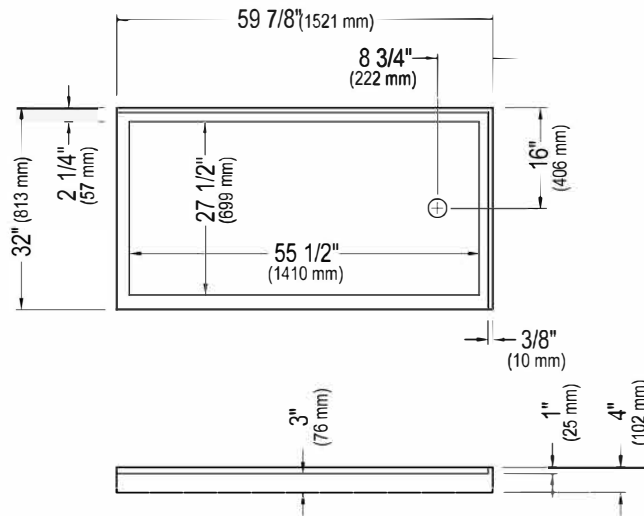
Phone: (450) 773-7058 - Fax: (450) 773-5063

produitsneptune.com

REV: 05-19

ZEN 6032 D 2BD/60

Shower base



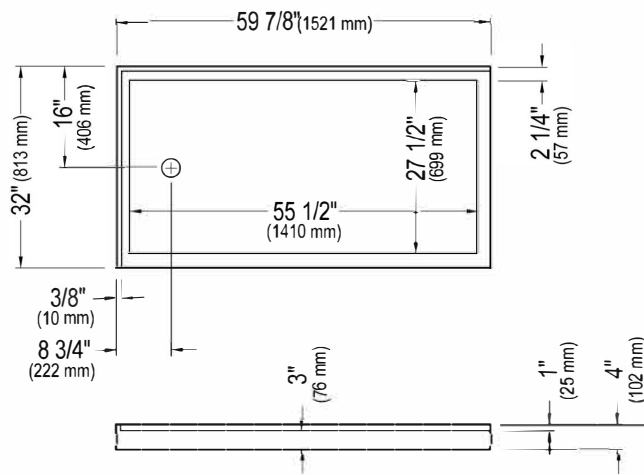
*All dimensions are approximate and subject to change without notice.
Please refer to the installation guide before beginning the installation.



Produits Neptune
ENTREPRENEUR

ZEN 6032 G 2BG /60

Shower base



*All dimensions are approximate and subject to change without notice.
Please refer to the installation guide before beginning the installation.

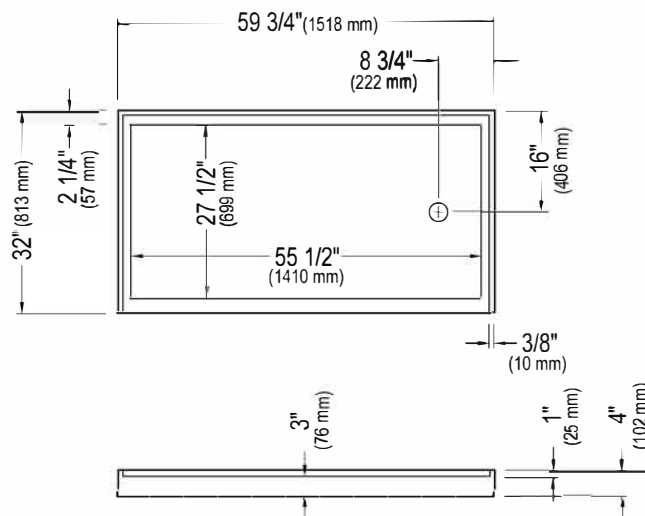


Produits Neptune

ENTREPRENEUR

ZEN 6032 D 3B /60

Shower base



*All dimensions are approximate and subject to change without notice. Please refer to the installation guide before beginning the installation.

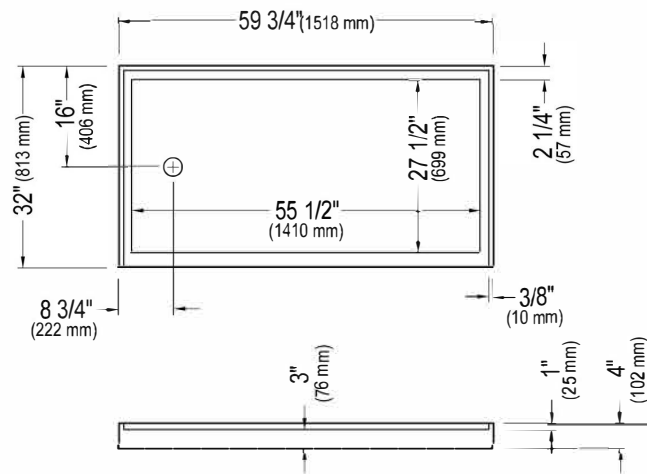


Produits Neptune

ENTREPRENEUR

ZEN 6032 G 3B /60

Shower base



*All dimensions are approximate and subject to change without notice.
Please refer to the installation guide before beginning the installation.