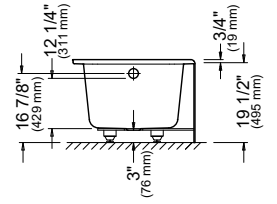
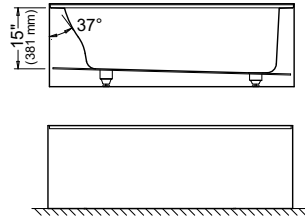
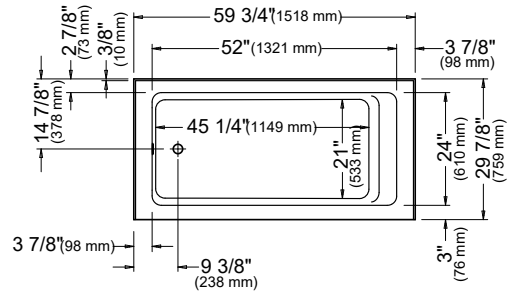


# PIA 3060 AFR

WITH INTEGRATED TILING FLANGE AND SKIRT



59 3/4" x 29 7/8" x 19 1/2" [56 gallons]



## GENERAL SPECIFICATIONS

- Acrylic thermoformed and reinforced with fiberglass
- Gloss finish resistant to stains and discoloration
- Immersion 12 1/4" - Adjustable legs
- Weight: 57 pounds

## GENERAL OPTIONS

Acrylic colors: white  
 biscuit\* or bone\* (allow 3 weeks for delivery)  
 Available in left or right version (integrated tiling flange)  
 Integrated skirt

White mood light: white, biscuit, bone or chrome finish

Handle: white, biscuit, bone or chrome finish 95.7077.106.XX  
 (max. 2) (submit drawing with order)

Drain D105 (20"): chrome finish 62.4020.102.60

Black neck pillow (12" x 4") 18.6000.100.20

## WHIRLPOOL OPTIONS

Finish for Whirlpool jets: white, biscuit or bone  
 Other: chrome

Inline heater 110 V

## ACTIV-AIR OPTIONS

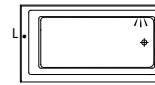
Finish for Activ-Air jets: white, biscuit or bone  
 Other: chrome

Blower hose extension 36" 95.5013.116.00

Blower hose extension 72" 95.5013.167.00

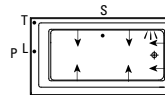
Blower hose extension 96" 95.5013.168.00

Blower extensions are necessary when the blower is located more than 4' from the pneumatic control.



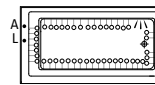
Bathtub only left drain  
 Bathtub only right drain

E10.20710.5500  
 E10.20710.5000



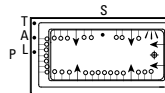
Whirlpool left drain  
 Whirlpool right drain  
 Included: 6 round jets, two air controls,  
 one 7.5 A (120 V) pump and one pneumatic control.

E15.20710.550030  
 E15.20710.500030



Activ-Air left drain  
 Activ-Air right drain  
 Included: 30 Activ-Air micro-jets, one blower  
 9.5 A (120 V) with heating element (200 W)  
 and one pneumatic control.

E15.20710.550010  
 E15.20710.500010



Whirlpool/Activ-Air combo  
 left drain  
 Whirlpool/Activ-Air combo  
 right drain  
 Included: 6 round jets, 29 Activ-Air micro-jets,  
 two air controls, one 7.5 A (120 V) pump, one blower  
 9.5 A (120 V) with heating element (200 W)  
 and two pneumatic controls.

E15.20710.550031  
 E15.20710.500031

- ➔ : Whirlpool jets
- : Activ-Air jets
- S : Suction
- T : Whirlpool control
- A : Activ-Air control
- P : Pump
- L : Light control
- ≡ : Mood light (option)

Note: The blower is never installed.

DIMENSIONS ARE NOMINAL AND MAY VARY BY ± 1/4" (6MM).  
 WEIGHT MAY VARY BY ± 5 LBS (2,3KG).  
 DRAWING IS NOT SCALE. THESE DIMENSIONS MAY BE CHANGED AT THE MANUFACTURER'S  
 DISCRETION.  
 CONSULT THE INSTALLATION GUIDE FOR MORE INFORMATION.



COMPLIANCE ATTESTATION  
 Standard bathtubs  
 CAN / CSA.B45.5  
 Hydromassage Standards  
 CAN / CSA.B45.10 / CSA.C22.2 / UL-1795



Certification ECORESPONSIBLE  
 First manufacturer of bathroom products in  
 North America to be certified ecoresponsible.



Produits Neptune

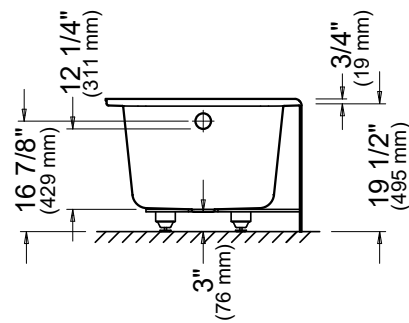
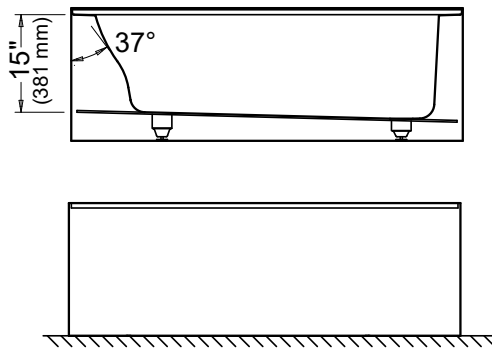
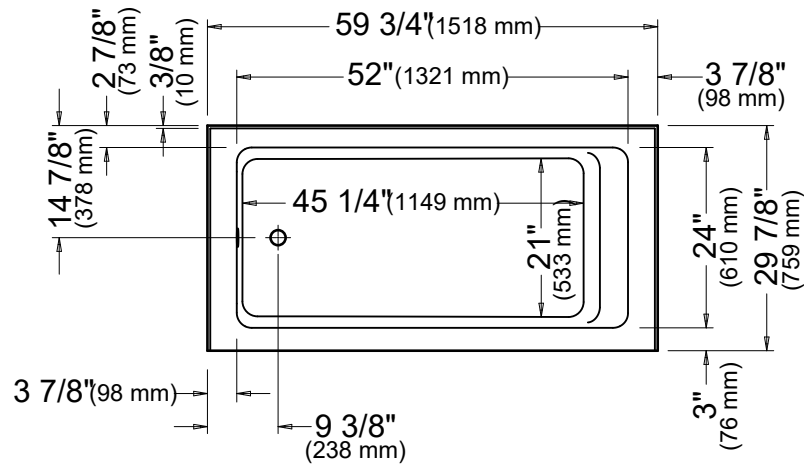
ENTREPRENEUR

6835, Picard street, Saint-Hyacinthe (Quebec) J2S 1H3  
 Phone: (450) 773-7058 - Fax: (450) 773-5063  
 produitsneptune.com



Produits Neptune

### PIA 3060 AFR WITH INTEGRATED TILING FLANGE AND SKIRT



\*All dimensions are approximate and subject to change without notice.  
Please refer to the installation guide before beginning the installation.