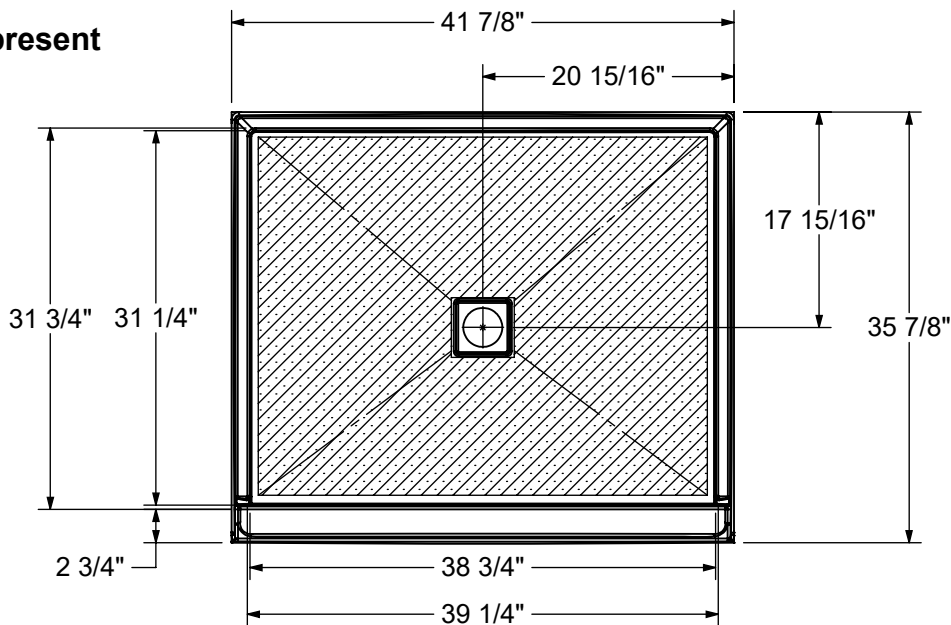
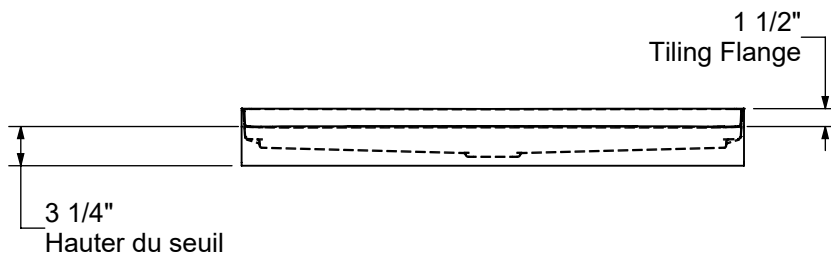
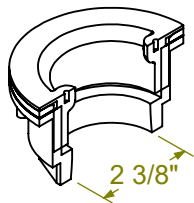
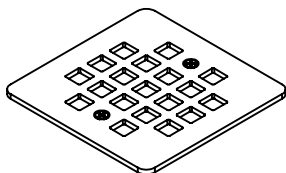


The hatched area represent
the antislip surface



DRAIN INCLUDED
ON B3 SQUARE ONLY



This technical drawing is universal for every 4236 configuration.

Integrated tiling flange : 1 1/2" height x 1/4" thick
Tiling flange position is determined by chosen configuration.

All dimensions are approximate. Structure measurements
must be verified against the unit to ensure proper fit.