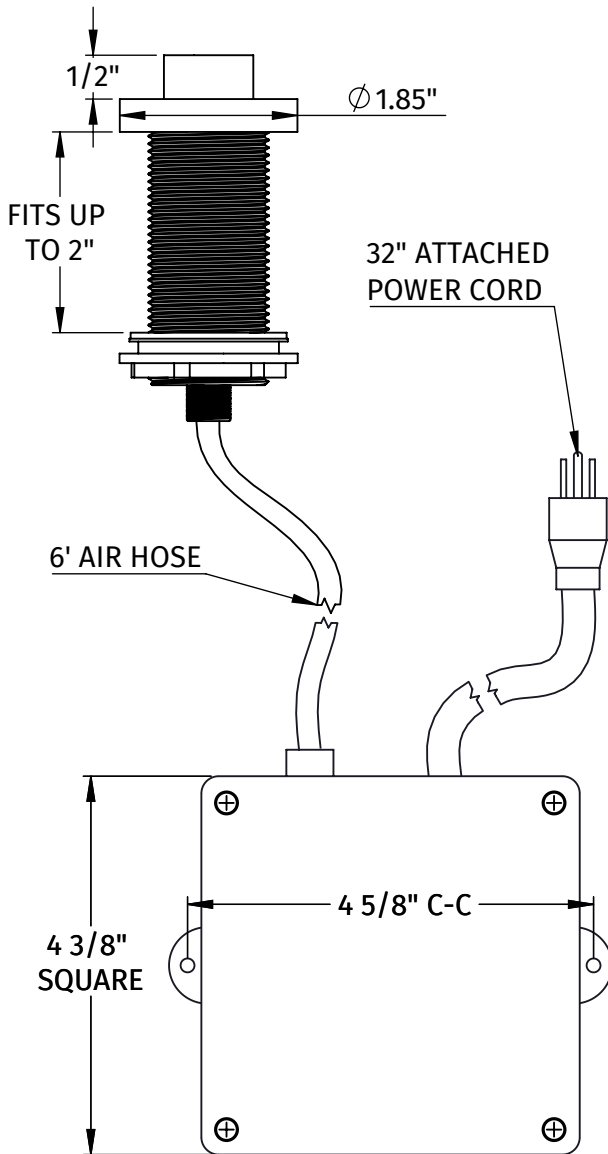


# MT957R

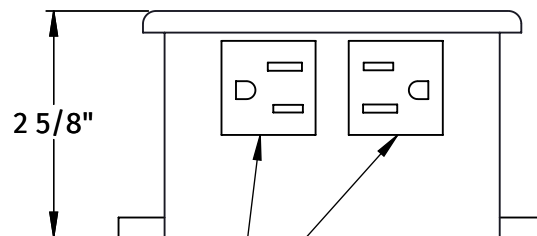
## ROUND "DELUXE" RAISED WASTE DISPOSER AIR SWITCH WITH FREEDOM MOUNT



### SPECIFICATION SHEET



- REQUIRES  $\phi 1 - 3/8"$  MOUNTING HOLE
- WILL FIT UP TO 2" THICK DECK
- FREEDOM TO MOUNT BOX ANYWHERE
- UL APPROVED
- AIR ACTUATED
- BOX MOUNTING HARDWARE NOT INCLUDED



ALTERNATING OUTLETS LOCATED  
ON BOTTOM SIDE OF BOX

#### WARRANTY

FOR WARRANTY INFO PLEASE VISIT [WWW.MOUNTAINPLUMBING.COM/PAGE/RESOURCES/WARRANTY](http://WWW.MOUNTAINPLUMBING.COM/PAGE/RESOURCES/WARRANTY)

#### FINISH CARE & MAINTENANCE

NEVER USE ANY HARSH ALKALI, ACID BASED DETERGENTS OR CLEANERS SUCH AS SOFT SCRUB®, SCRUBBING BUBBLES® OR COMET® TO CLEAN. DO NOT USE BRILLO® OR SCOTCH BRITE® PADS. THESE WILL ALL HARM THE FINISH. TO CLEAN, USE ONLY A DAMP SOFT CLOTH AND WIPE GENTLY. STANDARD WINDEX® CAN ALSO BE USED SPARINGLY. IT IS NOT NECESSARY TO WIPE HARD TO REMOVE SPOTS. TO MAINTAIN THE FINISH, WIPE WITH A SOFT DRY CLOTH AFTER USE. AN OCCASIONAL COAT OF PURE CARNAUBA WAX WITHOUT CLEANERS WILL HELP PROTECT THE FINISH.

SPECIFICATIONS SUBJECT TO CHANGE WITHOUT NOTICE