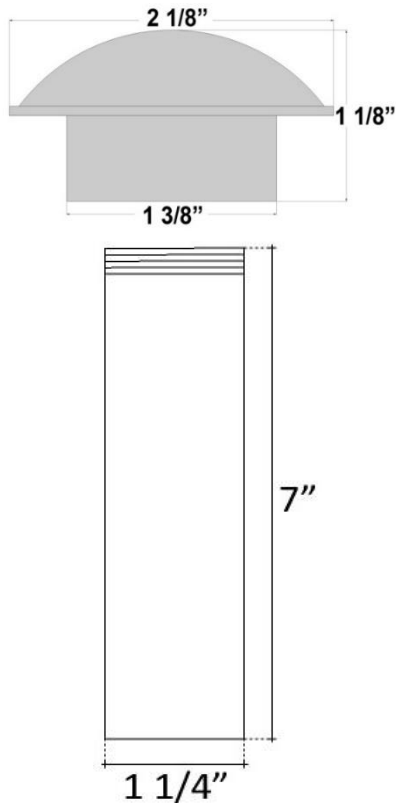




Shown with "SS-SCR01"



D011 (Stainless)

MAZE DECORATIVE GRID STRAINER

DETAILS

Brass Body Plated in Nickel, Stainless Steel Grid and Screw

Available WITH (-O) or WITHOUT (-N) Overflow (specify)

NOTE: Specify finish, decorative screw and overflow type when ordering.

DRAIN SIZE

1.5" Standard lavatory size drain

AVAILABLE GRID FINISHES

SS	Satin Smooth Stainless Steel
PS	Polished Smooth Stainless Steel
SH	Satin Hammered Stainless Steel
PH	Polished Hammered Stainless Steel

AVAILABLE SCREW STYLES

SCR01	Metal Sphere	
	D011 SS-SCR01-N	D011 SH-SCR01-N
	D011 SS-SCR01-O	D011 SH-SCR01-O
	D011 PS-SCR01-N	D011 PH-SCR01-N
	D011 PS-SCR01-O	D011 PH-SCR01-O
SCR02	Mother of Pearl	
	D011 SS-SCR02-N	D011 SH-SCR02-N
	D011 SS-SCR02-O	D011 SH-SCR02-O
	D011 PS-SCR02-N	D011 PH-SCR02-N
	D011 PS-SCR02-O	D011 PH-SCR02-O

INSTALLATION

We recommend consulting a professional if you are unfamiliar with installing bathroom fixtures and plumbing. Linkasink accepts no liability for any damage to the floor, walls, plumbing, or personal injury during installation.

CARE

Use mild soap and water for everyday cleaning. Avoid any harsh abrasives, chemicals, and acidic cleaning products. A paste wax may be applied periodically to protect the finish and help with water spotting.

WARRANTY

Linkasink warranties our product to be free from manufacturing defect for the life of the product. Warranty does not cover improper care, neglect, abuse or normal wear-and-tear.

DIMENSIONS WILL VARY

DO NOT use this sheet as a guide for countertop cuts. Due to the handmade nature of each product, templates are not provided.