

Features

- Single handle controls both on/off activation and temperature settings.
- Integrated push-button diverter.
- Push-button diverter.

Material

- Includes face plate with handle.
- Supplied with ADA compliant metal lever handle.
- Complements the Composed faucet and accessory collections.
- Premium material construction with metal handle ensures reliability and durability.
- KOHLER finishes resist corrosion and tarnishing.
- Includes faceplate with single lever handle that controls both on/off activation and temperature setting.
- Valve features an adjustable high-temperature limit stop to control maximum temperature to eliminate scalding.
- Trim only; requires K-11748-K Rite-Temp pressure-balancing valve with diverter.
- Coordinates with faucets and accessories in the Composed collection.
- NEW Vibrant® Titanium finish provides an edgy, mid-gray metallic look for a modern bathroom.
- Rite-Temp® pressure-balancing technology maintains water temperature within +/-3 degrees Fahrenheit.

Installation

- Trim set requires valve to complete installation (sold separately).

Required Products/Accessories

K-11748 Series Rite-Temp® Valves

Optional Products/Accessories

1156950 Rite-Temp® Roughing-in Kit



ADA

Codes/Standards



ASME A112.18.1/CSA B125.1
ADA
ICC/ANSI A117.1

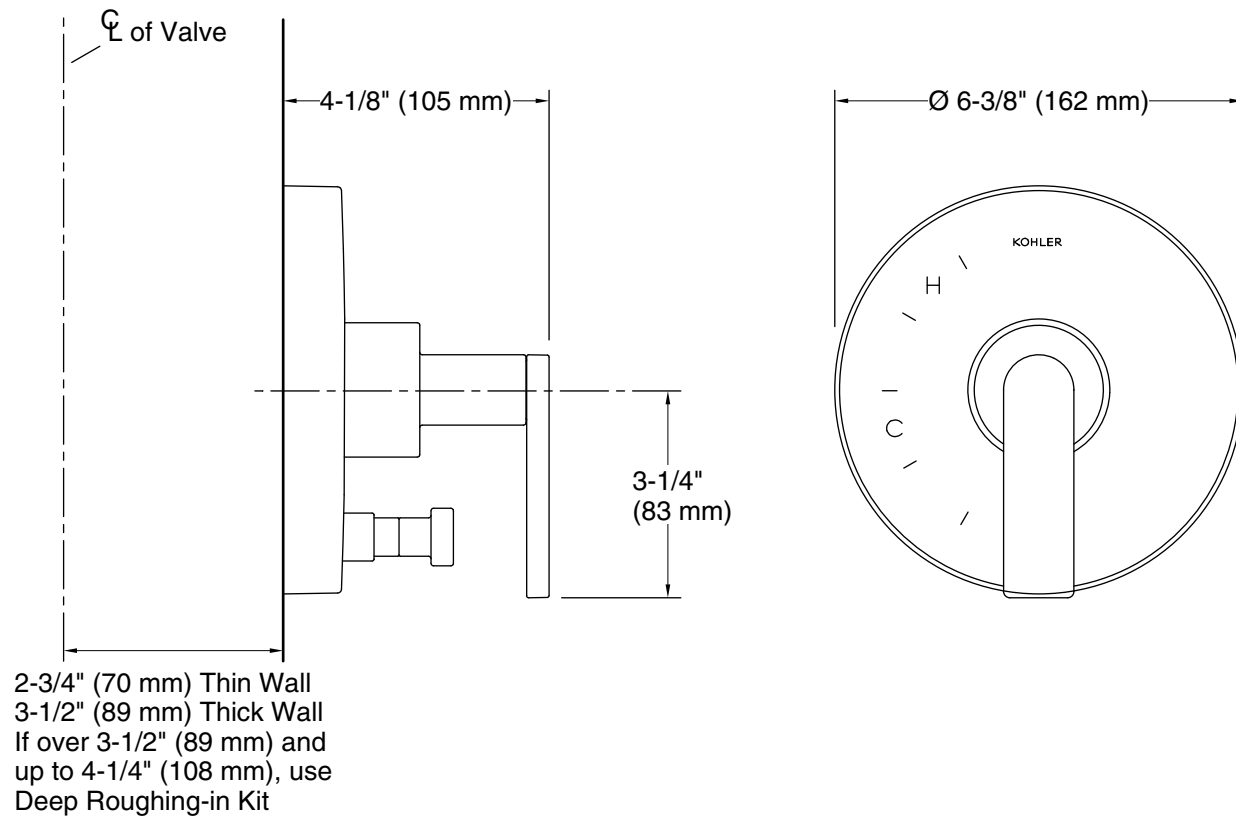
KOHLER® Faucet Lifetime Limited Warranty

See website for detailed warranty information.

Available Colors/Finishes

Color tiles intended for reference only.

Color	Code	Description
	CP	Polished Chrome
	TT	Vibrant Titanium



Technical Information

All product dimensions are nominal.

Notes

Install this product according to the installation guide.

ADA compliant when installed to the specific requirements of these regulations.