

### Features

- One-piece, self-contained ceramic disc valve allows both volume and temperature control
- Two-function sprayhead with touch control: Sweep™ spray and aerated stream settings
- MasterClean™ sprayface features an easy-to-clean surface that withstands mineral buildup
- ProMotion® technology's light, quiet braided hose and swiveling ball joint make the pull-down sprayhead easier and more comfortable to use
- Includes 10-1/2" (267 mm) escutcheon plate and refillable 16 fluid ounce (473 ml) soap dispenser
- 1.5 gpm (5.7 lpm) maximum flow rate at 60 psi (4.14 bar)
- DockNetik® secure docking system locks sprayhead into place when not in use

### Material

- Premium metal construction for durability and reliability
- KOHLER finishes resist corrosion and tarnishing

### Installation

- Left- or right- handle installation and 360° spout rotation
- Includes flexible connections for easy installation
- For one-, two-, three-, or four-hole installation

### Recommended Products/Accessories

K-23723 Faucet cleaner



ADA

CSA B651

### Codes/Standards

ASME A112.18.1/CSA B125.1

NSF/ANSI/CAN 61

NSF/ANSI/CAN 372

All applicable US Federal and State material regulations

DOE - Energy Policy Act 1992

California Energy Commission (CEC)

ADA

ICC/ANSI A117.1

CSA B651

### KOHLER® Faucet Lifetime Limited Warranty

See website for detailed warranty information.

### Available Colors/Finishes

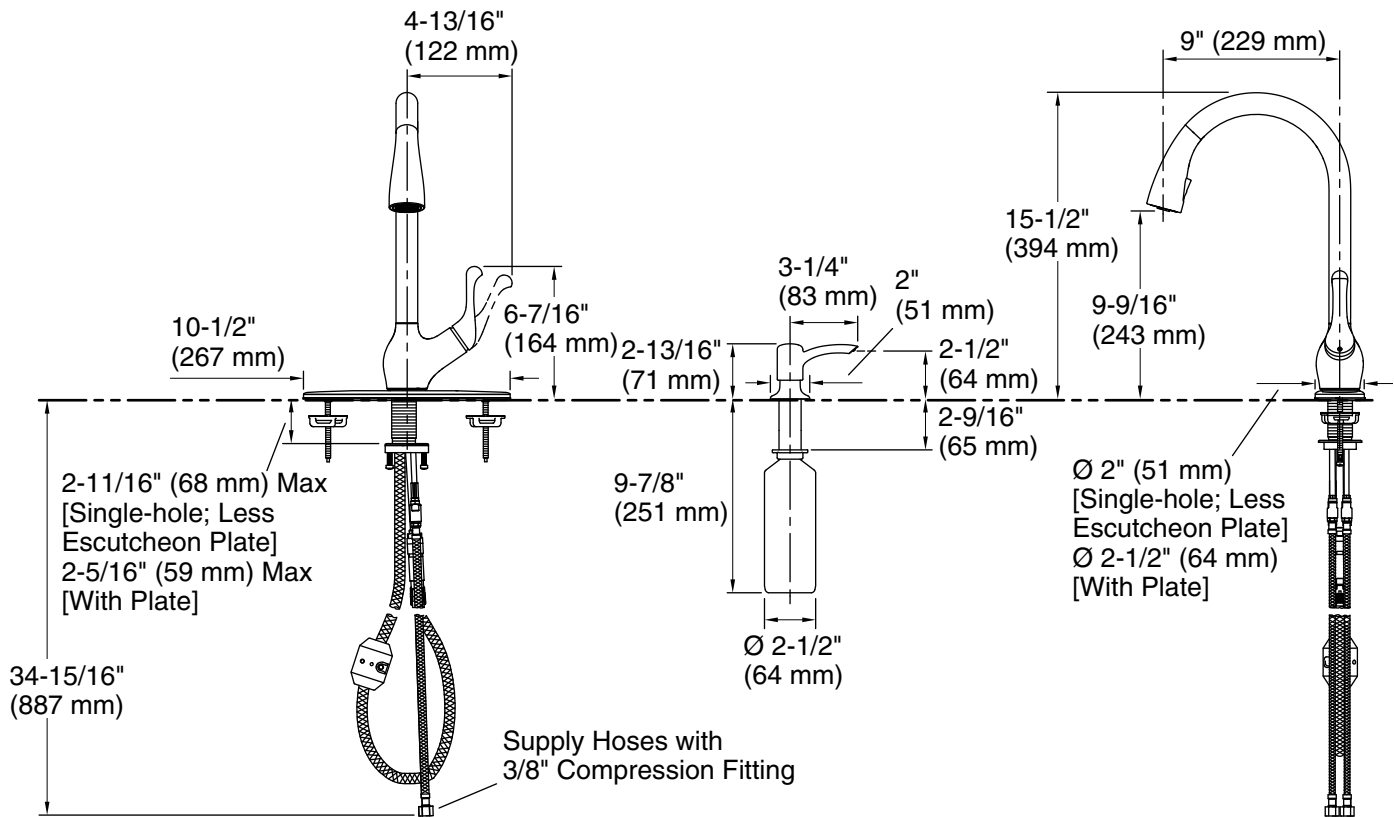
*Color tiles intended for reference only.*

Color	Code	Description
-------	------	-------------



VS

Vibrant® Stainless



#### Technical Information

All product dimensions are nominal.

#### Spout:

Spout reach: 9" (229 mm)

#### Notes

Install this product according to the installation guide.

ADA complaint for faucet handles only.

ADA, CSA B651 compliant when installed to the specific requirements of these regulations.