

Features

- Advanced spray engine provides six alternate experiences including four distinct sprays and two combination sprays.
- Full Coverage spray: An encompassing spray with larger water drops and Katalyst® air-induction technology for a powerful, even flow.
- Powerful Massage: Targeted, pulsing streams of water that massage and ease muscles.
- Silk spray: Soft, luxurious water drops rinse away stress.
- MasterClean™ sprayface resists hard-water buildup and is easy to clean without chemical cleaners.
- Simple thumb tab allows for a smooth transition between sprays.
- 1.75 gpm (gallons per minute) flow rate.
- Silk + Full Coverage: A warm, full spray with silky drops for total relaxation.
- Powerful Massage + Full Coverage: A warm, targeted stream combined with a full spray.
- Pause: Conserve water while you lather, shave, or shampoo. Also convenient for bathing children or pets.
- One-click spray control lets you change sprays with the push of a lever.
- 1.75 gpm (gallons per minute) maximum flow rate.
- 1/2" - 14 NPT connection.
- Shower arm and flange not included.

Material

- Premium material construction for durability and reliability.
- Premium KOHLER finishes featuring ScratchShield® technology withstand even the toughest daily use.

Installation

- No-tool installation — installs in minutes.
- Box includes: Showerhead.



Codes/Standards

ASME A112.18.1/CSA B125.1
DOE - Energy Policy Act 1992
EPA WaterSense®
California Energy Commission (CEC)



KOHLER® Faucet Lifetime Limited Warranty

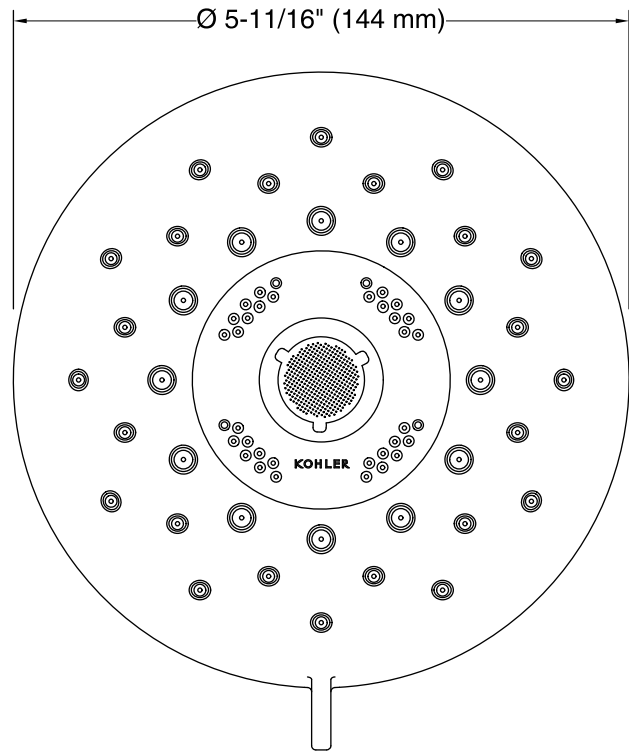
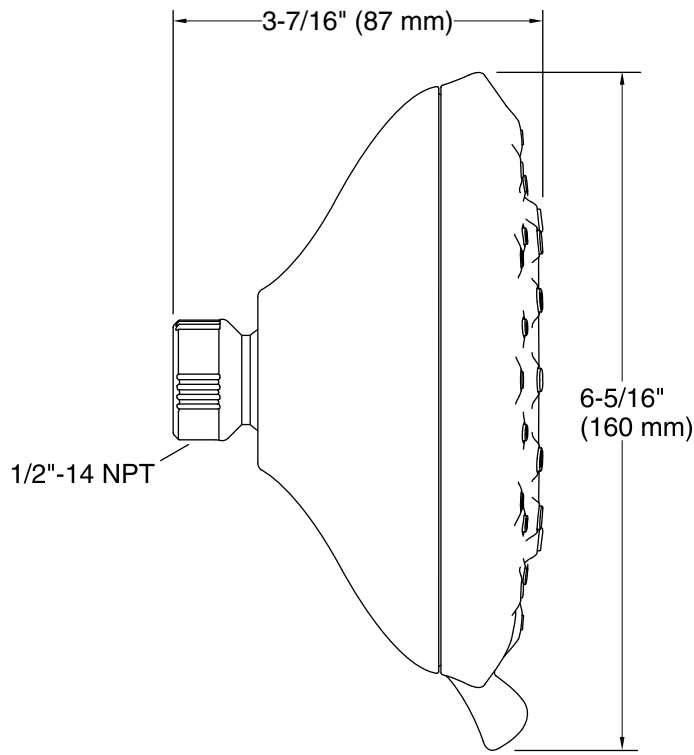
See website for detailed warranty information.

Available Colors/Finishes

Color tiles intended for reference only.

Color Code Description

	CP	Polished Chrome
	BN	Vibrant® Brushed Nickel



Technical Information

All product dimensions are nominal.

Showerhead/Body Spray:

Rated maximum flow: 1.75 gal/min (6.6 l/min)

Pressure: 45 psi (3.1 bar)

Notes

For use with automatic compensating valves rated at 1.3 gal/min (4.9 l/min) or less.

Install this product according to the installation instructions.