



Modflex® Adjust-a-Bowl®

Antimicrobial toilet with Mach® Tripoint® flushometer
K-PR25042-T4HSL

Features

- Fixture and touchless flushometer combination is engineered for optimal performance
- Elongated bowl offers added room and comfort
- Antimicrobial finish inhibits the growth of mold-, mildew-, stain-, and odor-causing bacteria on the fixture surface. This product does not protect users against bacteria, viruses, or other disease organisms. Always clean and wash this product thoroughly before and after each use
- 2-1/8" (54 mm) fully glazed trapway
- 10-1/2" x 7-1/2" (267 x 190 mm) water surface
- Adjustable connector enables replacement of wall-hung bowls with rim heights from 15" – 18" (381 – 127 mm) and outlets from 5" – 8" (76 – 127 mm)
- 1.28 gpf (4.8 lpf)
- Flush valve activation distance is factory-set
- No external flush volume adjustment ensures water conservation
- 24-hour automatic sentinel flush keeps trapway fresh
- Mechanical override enables flushometer to be used manually even during a power outage
- Chloramine and chlorine resistance on all rubber components exposed to waterway
- Locking stop cap provides protection against vandalism
- Powered by a 30 year/875,000 cycle hybrid energy cell, based on 72 uses per day
- For this combination, order K-25042-SSL bowl and K-10TD00N10 flushometer

Material

- Vitreous china bowl
- Brass flush valve with durable polished brass finish

Technology

- Electronic infrared sensor with Tripoint® technology for accurate activation

Installation

- Designed to cover existing footprint of any wall bowl on the market
- Seat sold separately

Recommended Products/Accessories

- K-4731-C Stronghold® Elongated toilet seat with integrated handle and check hinge
- K-4731-CA Stronghold® Commercial elongated toilet seat with antimicrobial agent



ADA

CSA B651

OBC

Codes/Standards

ASME A112.19.2/CSA B45.1
ASME A112.18.1/CSA B125.1
ASSE 1037/ASME A112.1037/CSA B125.37
DOE - Energy Policy Act 1992
EPA WaterSense®
California Energy Commission (CEC)
ADA
ICC/ANSI A117.1
CSA B651
OBC

KOHLER® One-Year Limited Warranty

See website for detailed warranty information.

1-800-4KOHLER (1-800-456-4537)

Kohler Co. reserves the right to make revisions without notice to product specifications.

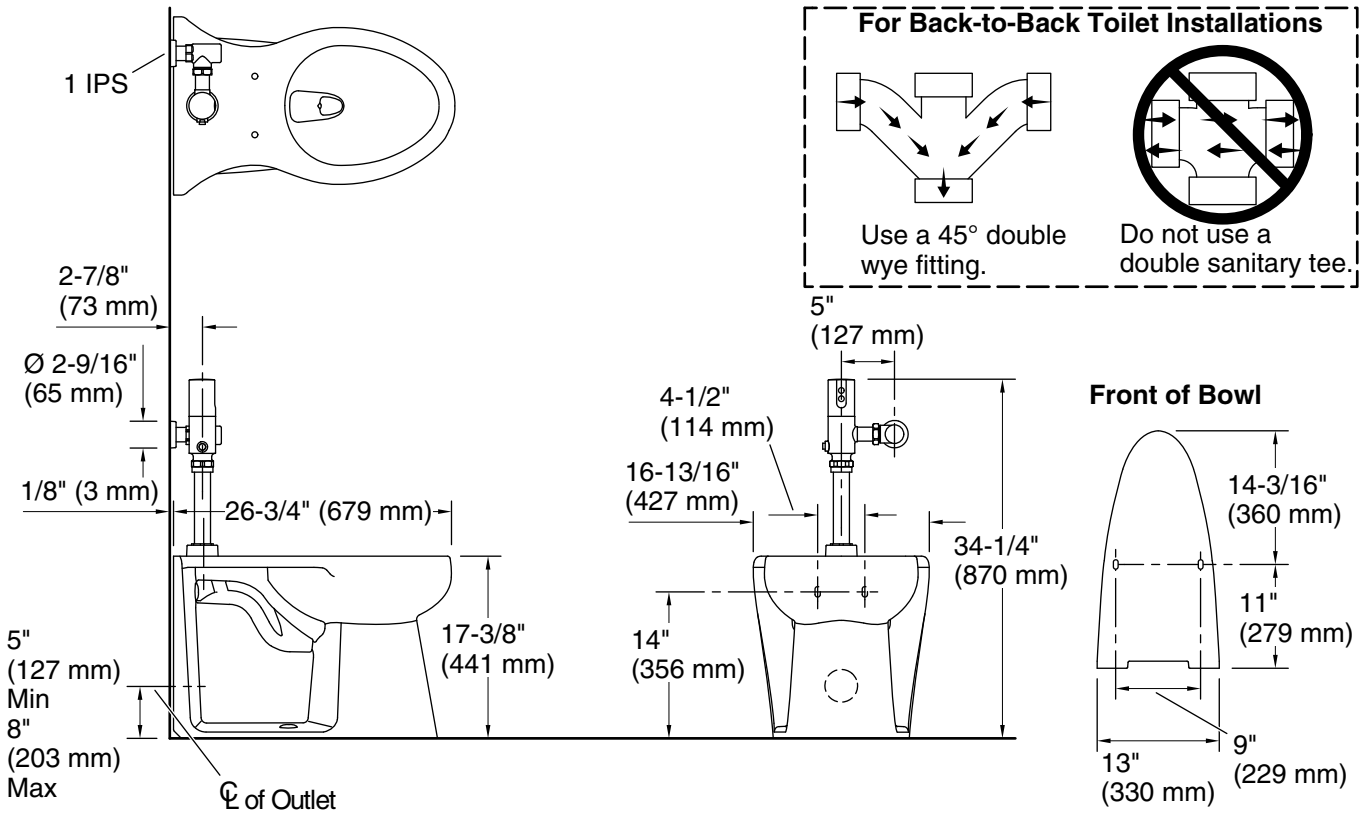
For the most current Specification Sheet, go to www.kohler.com.

1-8-2023 12:42 - US/MX

THE BOLD LOOK
OF **KOHLER**®



Modflex® Adjust-a-Bowl®
 Antimicrobial toilet with Mach® Tripoint® flushometer
K-PR25042-T4HSL



Technical Information

All product dimensions are nominal.

Toilet type:	Floor-mount
Waste Outlet:	Wall
Bowl shape:	Elongated
Flush type:	Flushometer valve siphon
Spud size:	1 1/2, Inlet, Top
Trap passageway:	2-1/8" (54 mm)
Water surface size:	10-1/2" x 7-1/2" (267 mm x 191 mm)
Rim to water surface:	5-3/4" (146 mm)
Rough-in:	5" (127 mm)
Seat-mounting holes:	5-1/2" (140 mm)

Fixture Supply Requirements

Min static pressure:	35 psi (241.3 kPa)
Max static pressure:	80 psi (551.6 kPa)
Min flowing pressure:	25 psi (172.4 kPa)

Notes

Install this product according to the installation instructions.

ADA, OBC, CSA B651 compliant when installed to the specific requirements of these regulations.

For ADA installations, rear grab bar may need to be split or shifted.

Plumbing codes may require elongated toilets and elongated, open-front seats in public bathrooms.

Accessibility standards may require controls to be located on the open side of the toilet.

1-800-4KOHLER (1-800-456-4537)

Kohler Co. reserves the right to make revisions without notice to product specifications.

For the most current Specification Sheet, go to www.kohler.com.

1-8-2023 12:42 - US/MX

