

### Features

- Stainless steel construction.
- Removable stainless steel basket strainer.
- 1-1/2" diameter connection.
- Less tailpiece.
- Intended for sink installations with 3-1/2" (89 mm) or 4" (102 mm) outlet.



### Codes/Standards

ASME A112.18.3

### KOHLER® One-Year Limited Warranty

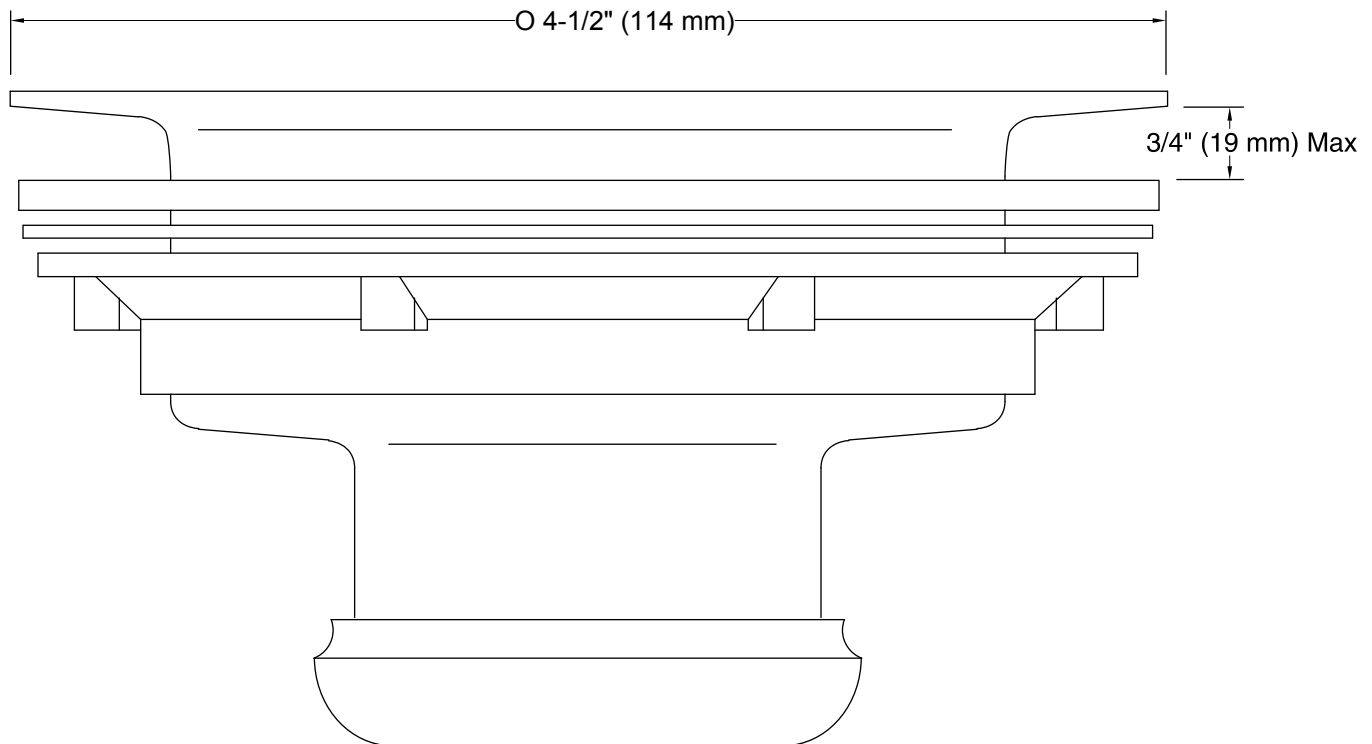
See website for detailed warranty information.

### Available Colors/Finishes

*Color tiles intended for reference only.*

Color	Code	Description
-------	------	-------------

	CP	Polished Chrome
--	----	-----------------



**Technical Information**

All product dimensions are nominal.

**Notes**

Install this product according to the installation guide.