

Features

- Six Flexjet® hydromassage jets can be individually adjusted for water flow and direction.
- Single-speed whirlpool offers performance and value, with 6 fully adjustable jets.
- Built-in heater.
- Spacious design accommodates up to two bathers.
- Integral lumbar support.
- Textured bottom surface.

Material

- KOHLER® enameled cast iron.

Installation

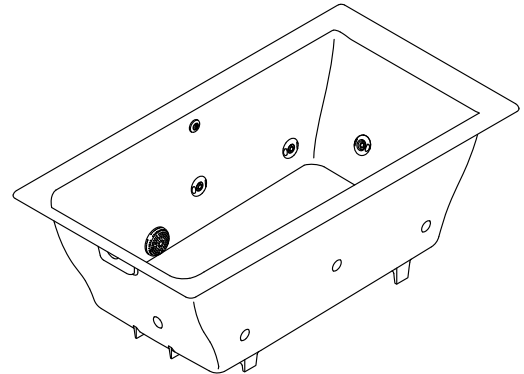
- Drop-in or undermount.
- Reversible drain.
- Requires K-23856 cable pop-up bath drain and K-23857 bath drain trim (sold separately).

Required Products/Accessories

- K-23856 1-1/2" cable pop-up bath drain
- K-23857 Bath drain trim

Recommended Products/Accessories

- K-1179 Vinyl Tiling-in Bead
- K-586 Under-Mount Installation Kit
- K-1172 Adjustable feet
- K-1491 Bath/Whirlpool Pillow
- K-1601 Bath/whirlpool footstop, removable



ADA

Codes/Standards





ASME A112.19.1/CSA B45.2
ASME A112.19.7/CSA B45.10
ASTM F462
UL 1795
CSA C22.2 No. 218.2
ADA
ICC/ANSI A117.1

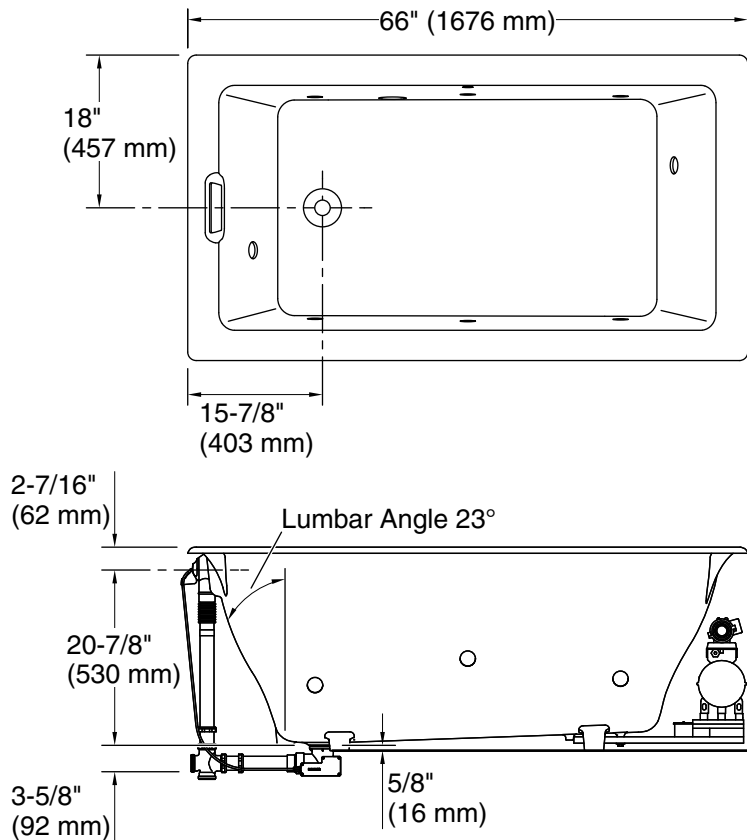
KOHLER® Enameled Cast Iron Bath and Shower Base Lifetime Limited Warranty KOHLER® Hydrotherapy Components Five-Year Limited Warranty

See website for detailed warranty information.

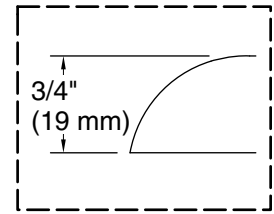
Available Colors/Finishes

Color tiles intended for reference only.

Color	Code	Description
	0	White
	96	Biscuit
	NY	Dune
	7	Black Black™

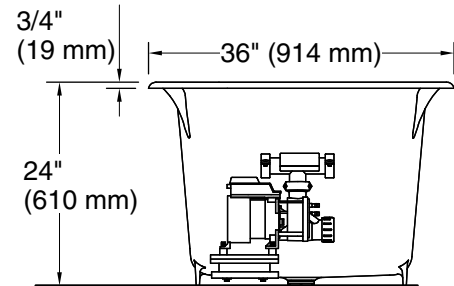


No change in measurements if connected with drain illustrated. (K-23856-NA)



Drop-in Rim Detail

Blower Motor Access
 20" (508 mm) W x 15" (381 mm) H Min



1-1/2" Bath Drain

Required Electrical Service

Two dedicated circuits required, protected with Class A Ground-Fault Circuit-Interrupter (GFCI). Outside North America, this device may be known as a Residual Current Device (RCD).

Pump: 120 V, 15 A, 60 Hz
 Heater: 120 V, 15 A, 60 Hz

Technical Information

All product dimensions are nominal.

Installation: Drop-in, Undermount
 Drain location: Reversible
 Basin area, bottom: 40-1/2" x 20" (1029 mm x 508 mm)
 Basin area, top: 52-3/4" x 24" (1340 mm x 610 mm)
 Weight: 290 lbs (131.5 kg)
 Minimum floor load: 60 lbs/ft² (292.9 kg/m²)
 Water depth: 13-5/8" (346 mm)
 Water capacity: 60 gal (227.1 L)
 Cutout: Drop-in, 58-1/2" x 30-1/2" (1486 mm x 775 mm)
 Electrical component rating: Pump: 120 V, 7 A, 60 Hz
 Heater: 120 V, 12 A, 60 Hz
 Pump speed: Single

Notes

Measure your actual product for rough-in details.

Install this product according to the installation instructions.

The hot water supply should be 70% of the capacity of the bath or greater. Installations will vary.

ADA compliant when installed to the specific requirements of these regulations.