



Task™ Smart Divide®

Smart Divide® 33" top-/undermount double-bowl
workstation kitchen sink
K-80085-2PC

Features

- 36" (914 mm) minimum base cabinet width.
- Double-equal bowls.
- Smart Divide® feature offers a lower bowl divider that increases workspace versatility.
- Two faucet holes.
- 9" (229 mm) depth provides generous workspace.
- Tightly angled fabricated corners maximize bowl space.
- Two-piece colander set offers convenience while rinsing and draining (dishwasher-safe).
- Durable bamboo cutting board with silicone bumpers for added stability.
- Accessories stack and slide to enhance food prep.
- Dishwasher-safe silicone sink mats help protect the sink as well as fragile dishes.
- Sink strainers keep large items from passing into the drain.

Material

- Premium 18-gauge stainless steel.
- KOHLER stainless steel sinks resist corrosion and tarnishing.

Installation

- Top-mount or undermount.
- Accessories slide on sink ledges when sink is top-mounted.
- Cutting board slides across countertop when sink is undermounted.

Recommended Products/Accessories

K-23726 Drain treatment
K-23729 Stainless steel cleaner

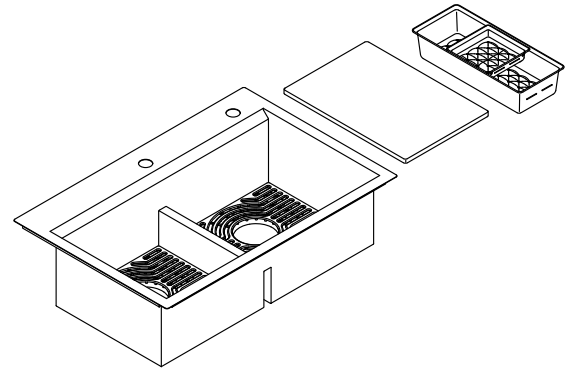
Optional Products/Accessories

K-9000 P-Trap

Included Components

Additional Components:

21613
21614
7400
80087 (Qty 2)



Codes/Standards

ASME A112.19.3/CSA B45.4

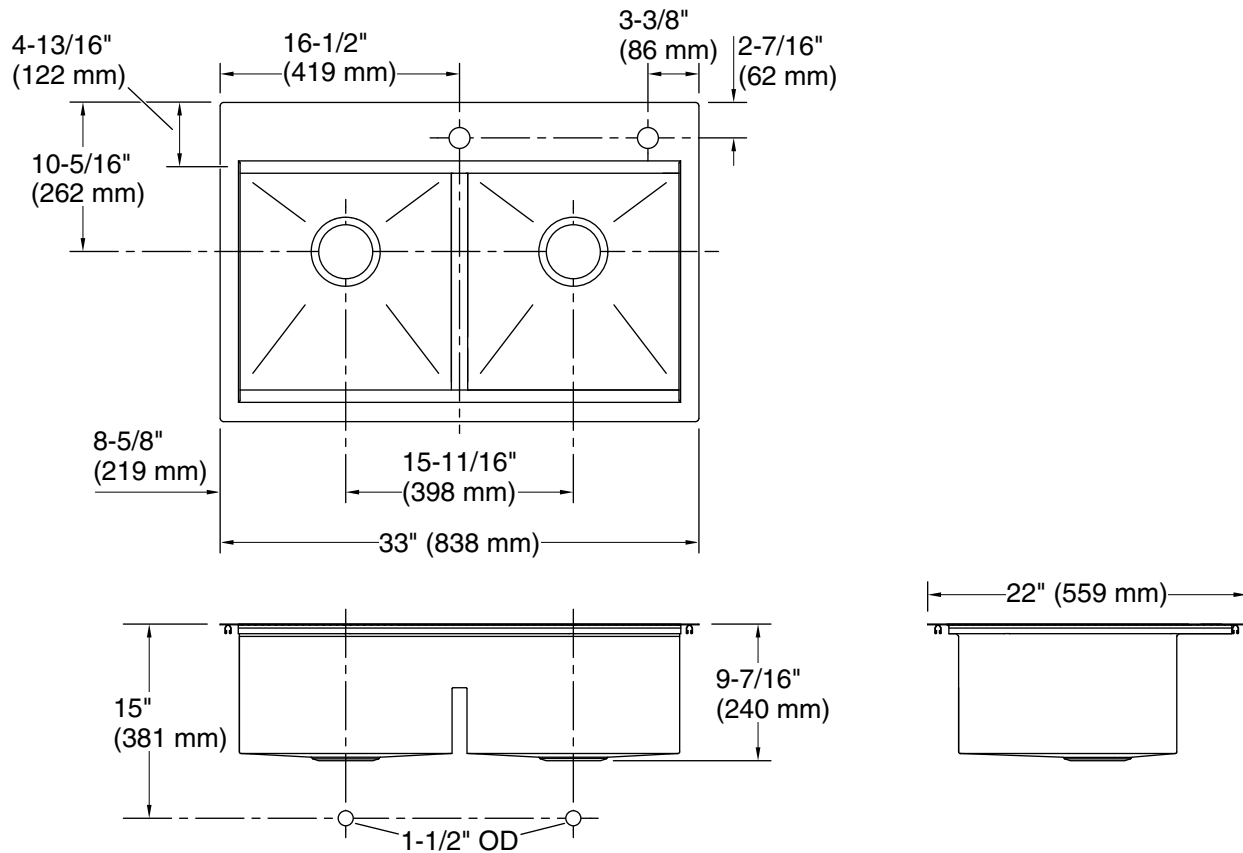
KOHLER® Stainless Steel Sinks Lifetime Limited Warranty

See website for detailed warranty information.



Task™ Smart Divide®

Smart Divide® 33" top-/undermount double-bowl
workstation kitchen sink
K-80085-2PC



Technical Information

All product dimensions are nominal.

Bowl configuration:	Double equal
Installation:	Undermount, Top-mount
Min. base cabinet width:	36" (914 mm)
Bowl area (Left):	Length: 14-9/16" (370 mm) Width: 14-15/16" (379 mm) Bowl depth: 9-3/16" (233 mm)
Bowl area (Right):	Length: 14-9/16" (370 mm) Width: 14-15/16" (379 mm) Bowl depth: 9-3/16" (233 mm)
Number of deck holes:	2
Faucet hole(s):	1-7/16" (37 mm)
Soap/Lotion hole:	1-7/16" (37 mm)
Drain hole:	3-5/8" (92 mm)
Template:	Top-mount/Undermount, 1130821-7, required, included

Notes

Install this product according to the installation instructions.