

Features

- KOHLER ceramic disc valves exceed industry longevity standards for a lifetime of durable performance
- Temperature memory allows faucet to be turned on and off at the temperature set during prior usage
- 1.5 gpm (5.7 lpm) maximum flow rate at 60 psi (4.14 bar)
- Includes metal pop-up drain with 1-1/4" tailpiece
- Coordinates with Components faucets, accessories, and showering components to complete your bathroom
- Single pin handle allows for both volume and temperature control
- KOHLER ceramic disc valves exceed industry longevity standards for a lifetime of durable performance
- Includes metal pop-up drain with 1-1/4" tailpiece
- Coordinates with Components faucets, accessories, and showering components to complete your bathroom

Material

- Premium metal construction for durability and reliability
- KOHLER finishes resist corrosion and tarnishing
- Premium metal construction for durability and reliability

Installation

- For single-hole installation
- Preattached flexible supply lines simplify installation
- Single hole

Recommended Products/Accessories

K-23726 Drain treatment
K-23723 Faucet cleaner



Codes/Standards

ASME A112.18.1/CSA B125.1

KOHLER® Faucet Lifetime Limited Warranty

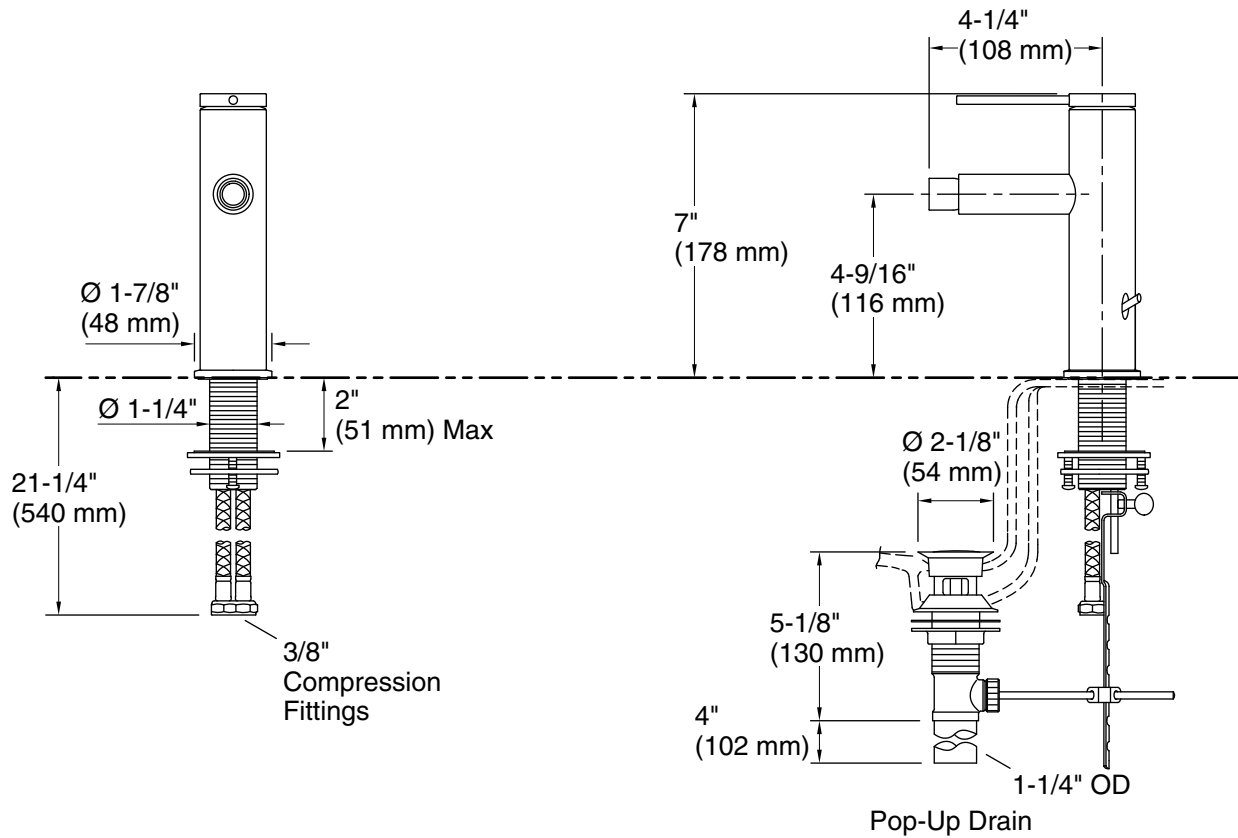
See website for detailed warranty information.

Available Colors/Finishes

Color tiles intended for reference only.

Color	Code	Description
-------	------	-------------

	BN	Vibrant® Brushed Nickel
---	----	-------------------------



Technical Information

All product dimensions are nominal.

Faucet:

Flow rate: 1.5 gal/min (5.7 l/min)

Pressure: 60 psi (4.1 bar)

Spout:

Spout reach: $4\text{-}1/4"$ (108 mm)

Notes

Install this product according to the installation instructions.