

### Features

- 6-11/16" (170 mm) spout reach.
- Tall height is ideal for vessel-style sinks.
- 1.2 gal/min (4.5 l/min) maximum flow rate [max at 60 psi (4.14 bar)].
- Laminar flow aerator delivers a graceful stream while conserving water.
- For 8" (203 mm) or 16" (406 mm) centers.
- Includes metal touch-activated drain with 1-1/4" tailpiece.
- Coordinate with your choice of Components widespread lavatory handles for a personalized design.

### Material

- Premium metal construction.
- KOHLER finishes resist corrosion and tarnishing.
- KOHLER finishes resist corrosion and tarnishing.

### Installation

- Widespread or remote valve.

### Water Conservation & Rebates

- This product can help a building earn Water Efficiency points in the LEED® Green Building Rating System.

### Recommended Products/Accessories

- K-77974-4 bathroom sink handles with Lever design
- K-77974-8 bathroom sink handles with Oyl design
- K-77974-9 bathroom sink handles with Industrial design
- K-77963-8A bathroom sink rocker handle



### Codes/Standards

ASME A112.18.1/CSA B125.1  
NSF/ANSI 61  
NSF/ANSI 372  
All applicable US Federal and State material regulations  
DOE - Energy Policy Act 1992  
EPA WaterSense®  
California Energy Commission (CEC)



### KOHLER® Faucet Lifetime Limited Warranty

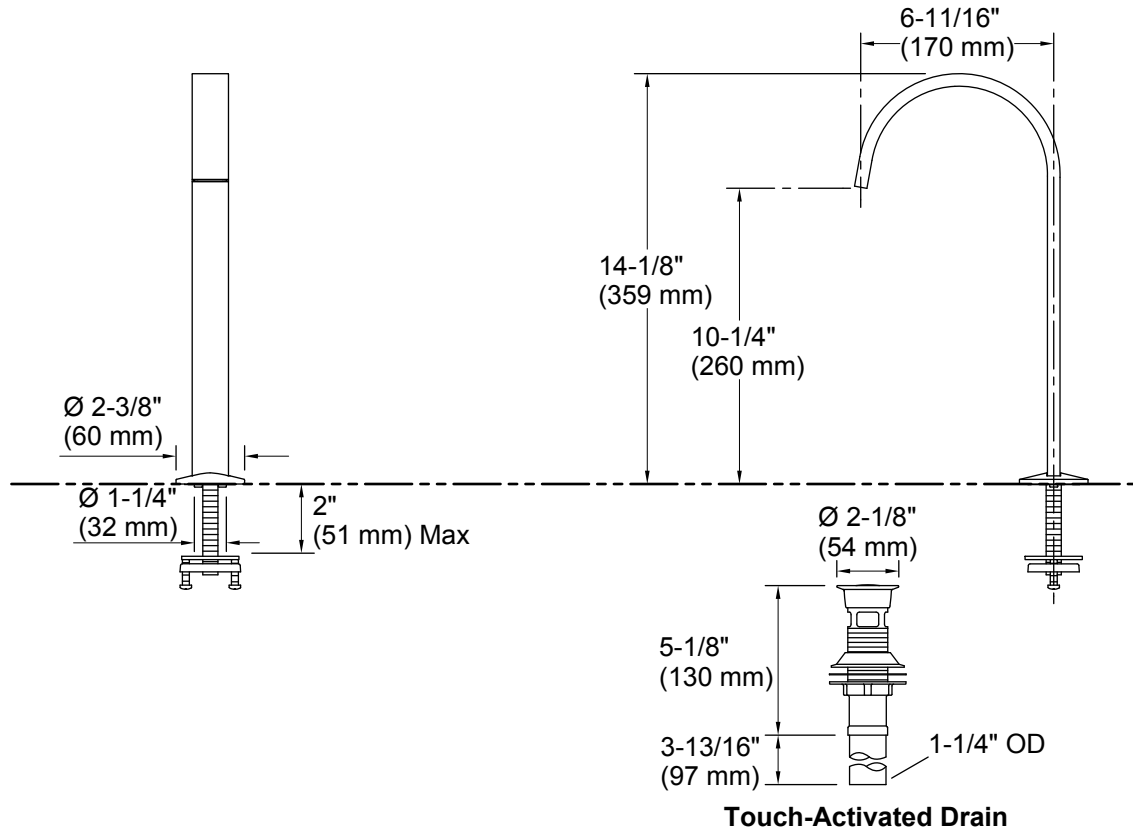
See website for detailed warranty information.

### Available Colors/Finishes

*Color tiles intended for reference only.*

Color	Code	Description
-------	------	-------------

	CP	Polished Chrome
	BN	Vibrant® Brushed Nickel
	BL	Matte Black



### Technical Information

All product dimensions are nominal.

#### Faucet:

Flow rate: 1.2 gal/min (4.5 l/min)

Pressure: 60 psi (4.1 bar)

Drain included: Yes

#### Spout:

Spout reach: 6-11/16" (170 mm)

### Notes

Install this product according to the installation instructions.