

Features

- 6-11/16" (170 mm) spout reach.
- Tall height is ideal for vessel-style sinks.
- 1.2 gpm (4.5 lpm) maximum flow rate at 60 psi (4.14 bar).
- Laminar flow controls deliver a graceful stream while conserving water.
- Includes metal touch-activated drain with 1-1/4" tailpiece.
- Coordinate with your choice of Components widespread lavatory handles for a personalized design.

Material

- Premium metal construction for durability and reliability.
- KOHLER finishes resist corrosion and tarnishing.

Installation

- For 8" - 16" (203 - 406 mm) centers.
- Widespread or remote valve.

Water Conservation & Rebates

- This product can help a building earn Water Efficiency points in LEED® Green Building Rating System.

Recommended Products/Accessories

- K-77974-4 bathroom sink handles with Lever design
- K-77974-8 bathroom sink handles with Oyl design
- K-77974-9 bathroom sink handles with Industrial design
- K-77963-8A bathroom sink rocker handle
- K-23726 Drain treatment
- K-23723 Faucet cleaner



Codes/Standards

- ASME A112.18.1/CSA B125.1
- NSF/ANSI 61
- NSF/ANSI 372
- All applicable US Federal and State material regulations
- DOE - Energy Policy Act 1992
- EPA WaterSense®
- California Energy Commission (CEC)

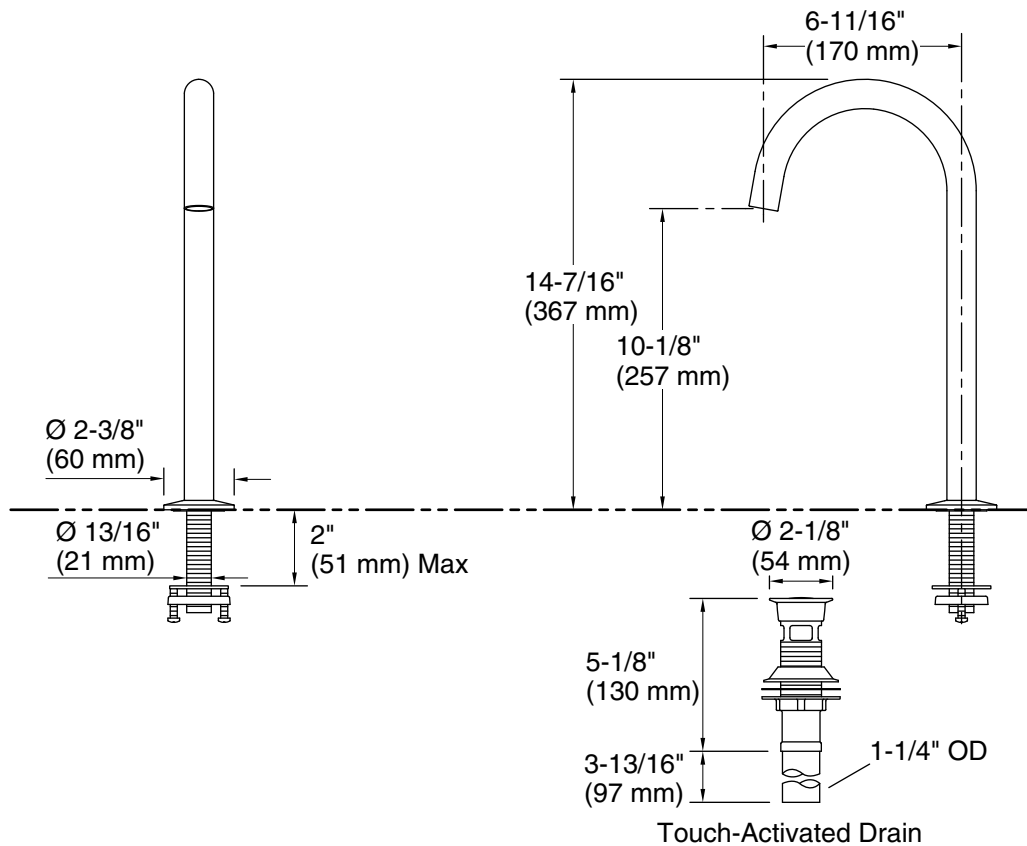
KOHLER® Faucet Lifetime Limited Warranty

See website for detailed warranty information.

Available Colors/Finishes

Color tiles intended for reference only.

| Color | Code | Description |
|---|------|--|
|  | CP | Polished Chrome |
|  | BN | Vibrant® Brushed Nickel |
|  | BL | Matte Black |
|  | 2MB | Vibrant® Brushed Moderne Brass |
|  | 3TR | Vibrant® Ombré Titanium/Rose Gold |
|  | 3RS | Vibrant® Ombré Rose Gold/Polished Nickel |



Technical Information

All product dimensions are nominal.

Faucet:

Flow rate: 1.2 gal/min (4.5 l/min)

Pressure: 60 psi (4.1 bar)

Drain included: Yes

Spout:

Spout reach: 6-11/16" (170 mm)

Notes

Install this product according to the installation instructions.