

## Features

- 9" (229 mm) spout reach.
- 3" (76 mm) high non-diverter spout.
- Variety of handle style options (sold separately).
- Non-diverter spout.
- 15 gpm (gallons per minute) bath faucet flow rate.
- Ceramic disc valves exceed industry longevity standards, ensuring durable performance for life.
- Coordinates with other products in the Artifacts collection.

## Material

- Brass construction.
- KOHLER finishes resist corrosion and tarnishing.

## Installation

- Finished deck-mount installation only.

## Required Products/Accessories

- K-T98071-3M Deck-mount Bath Faucet Trim
- or
- K-T98071-4 Deck-mount Bath Faucet Trim
- or
- K-T98071-9M Bath- or Deck-Mount Handles



## Codes/Standards

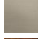
ASME A112.18.1/CSA B125.1

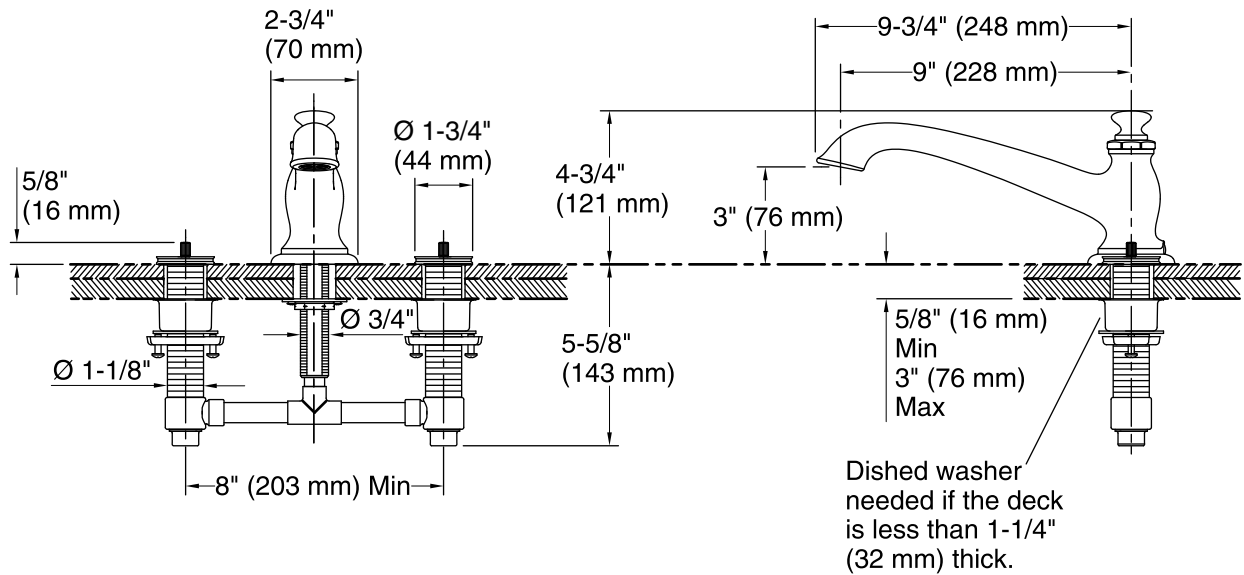
## KOHLER® Faucet Lifetime Limited Warranty

See website for detailed warranty information.

## Available Colors/Finishes

*Color tiles intended for reference only.*

Color	Code	Description
	CP	Polished Chrome
	SN	Vibrant® Polished Nickel
	BN	Vibrant® Brushed Nickel
	BV	Vibrant® Brushed Bronze
	2BZ	Oil-Rubbed Bronze
	VNT	Vintage Nickel



### Technical Information

All product dimensions are nominal.

Drain included: No

### Spout:

Spout reach: 9" (229 mm)

### Notes

**IMPORTANT!** Artifacts deck-mount handles are only compatible with the valve included with the Artifacts deck-mount faucets. Do not install to a K-300 bath valve.

**IMPORTANT!** For K-T98071-9M models, the handle swings up and toward the user. Ensure that the handle will not interfere with the bath fixture during operation.

Install this product according to the installation guide.

For a finished bath deck/rim less than 5/8" (16 mm) thick: Install wood reinforcing material to the underside of the deck/rim. The combined thickness of the reinforcing material and the deck/rim must not exceed 3" (76 mm).