

### Features

- Showerhead features transitional design, inspired by nature.
- Advanced spray engine provides three spray experiences: full coverage, drenching rain and intense massage.
- Full coverage spray produces an encompassing spray for everyday use and utilizes air induction to create large, full drops.
- Drenching rain delivers a soothing circular water pattern.
- Intense massage spray targets sore muscles to ease away aches and pains.
- Full 360 degree rotation of entire sprayface cycles through spray functions.
- Silicone sprayface is easy to clean.

### Material

- KOHLER finishes resist corrosion and tarnishing.

### Installation

- Showerarm required for wall-mount installation.

### Water Conservation & Rebates

- WaterSense®-labeled 1.5-gpm showerheads use up to 40 percent less water than standard 2.5-gpm handshowers, while still meeting strict performance guidelines.
- This product can help a building earn Water Efficiency points in the LEED® Green Building Rating System.



### Codes/Standards



ASME A112.18.1/CSA B125.1  
DOE - Energy Policy Act 1992  
EPA WaterSense®  
California Energy Commission (CEC)

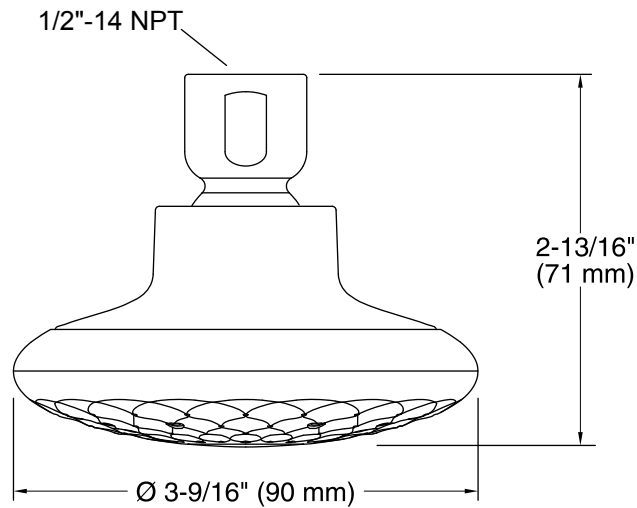
### KOHLER® Faucet Lifetime Limited Warranty

See website for detailed warranty information.

### Available Colors/Finishes

*Color tiles intended for reference only.*

Color	Code	Description
	CP	Polished Chrome
	BN	Vibrant® Brushed Nickel



**Technical Information**

All product dimensions are nominal.

**Showerhead/Body Spray:**

Rated maximum flow: 1.5 gal/min (5.7 l/min)

**Notes**

Install this product according to the installation guide.