

Features

- Brass valve bodies.
- Valvet® valves.
- Rough plated body.
- Galvanized riser.
- Includes four-arm handles, showerhead, and wall-mount bracket.

Material

- Brass construction.

Installation

- For 6" (152 mm) centers.
- Yoke reversible for either top or bottom supplies.



Codes/Standards

ASME A112.18.1/CSA B125.1
DOE - Energy Policy Act 1992

KOHLER® Faucet Lifetime Limited Warranty

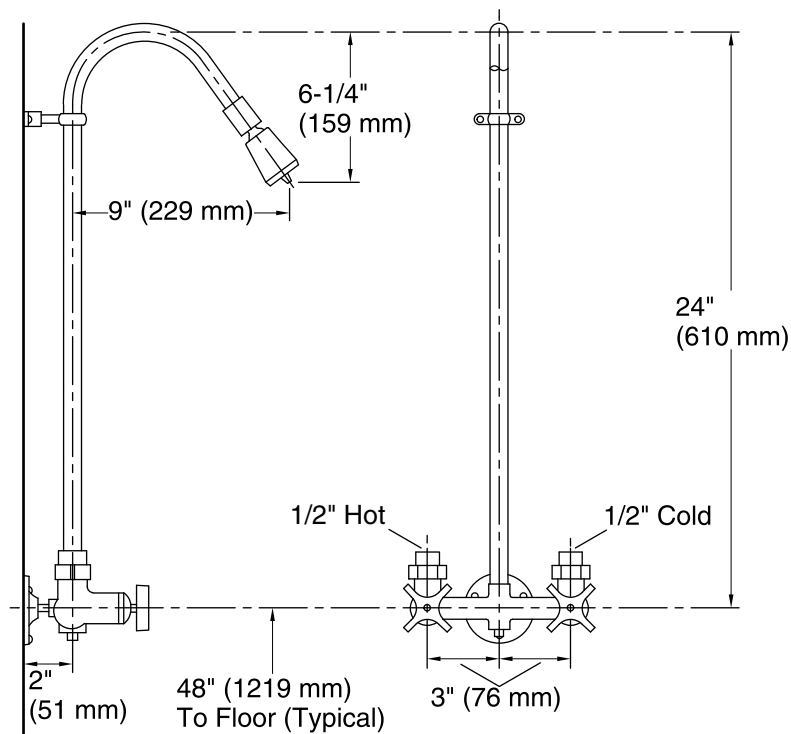
See website for detailed warranty information.

Available Colors/Finishes

Color tiles intended for reference only.

| Color | Code | Description |
|-------|------|-------------|
|-------|------|-------------|

| | | |
|--|----|-------------|
|  | RP | Rough Plate |
|--|----|-------------|



Technical Information

All product dimensions are nominal.

Showerhead/Body Spray:

Rated maximum flow: 2.5 gal/min (9.5 l/min)

Notes

Install this product according to the installation guide.

Yoke is reversible for either top or bottom supply.