

Features

- Sleek, exposed roller design allows for effortless opening and closing of the sliding panel
- Frameless design emphasizes glass and creates a sleek, minimalist look
- Controlled Close™ innovative soft-close with double-dampening technology eliminates slamming and brings door to a secure close
- Back-to-back 11-1/2" (292 mm) vertical handles
- CleanCoat®+ glass coating creates a hydrophobic barrier that repels water, soap scum, and residue, saving time and protecting shower doors 10 times longer than original CleanCoat. (Based on 2021 internal wear/abrasion testing using a microfiber cloth.)
- Coordinates with other products in the Composed® collection

Material

- Frameless, heavy 3/8" (10 mm) thick Crystal Clear tempered glass with frosted privacy band
- Anodized aluminum prevents rust and corrosion

Installation

- 78" (1981 mm) high, with a lofty 74-7/8" (1902 mm) minimum head clearance
- Fits opening widths 44-1/8" - 47-7/8" (1121 –1216 mm)
- 3-3/4" (95.25 mm) width adjustment
- Out-of-plumb adjustability simplifies installation
- Door can be installed to open to the left or right to suit your bathroom layout
- For residential use only
- Not for use in hospitality
- Not for use with cast iron shower bases

Recommended Products/Accessories

K-23723 Faucet cleaner



Codes/Standards

ANSI Z97.1
CPSC 16CFR 1201

KOHLER® One-Year Limited Warranty

See website for detailed warranty information.

Available Colors/Finishes

Color tiles intended for reference only.

Color	Code	Description
-------	------	-------------

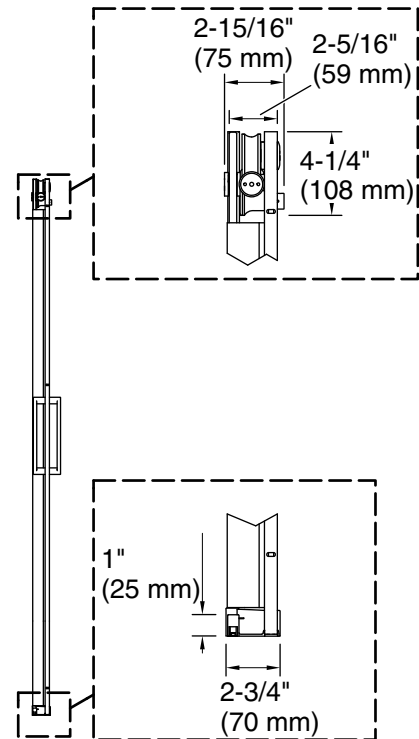
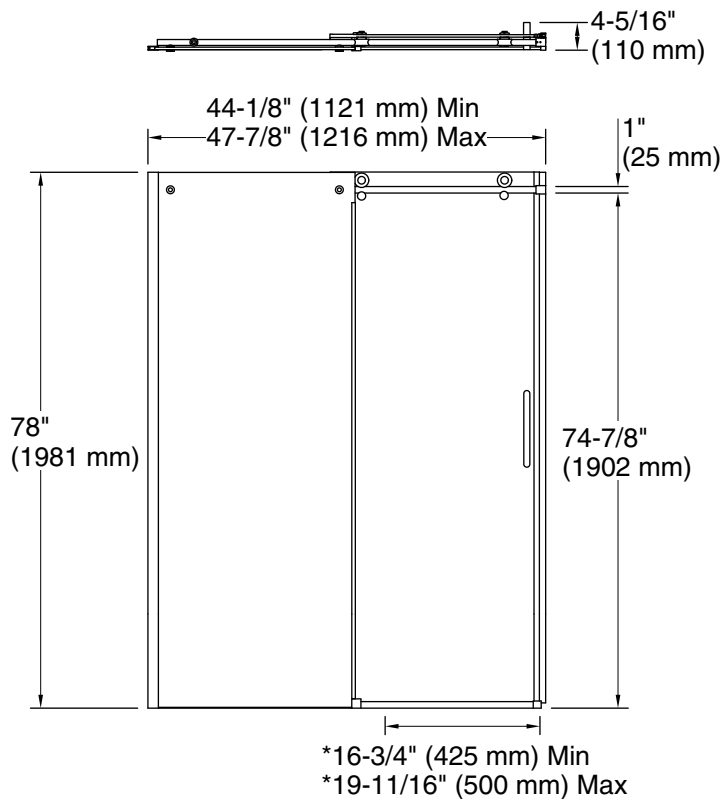


SHP	Bright Polished Silver
-----	------------------------

Available Glass Options

Code	Description
------	-------------

G81	Crystal Clear with Frosted Privacy Band
-----	---



*Walk-through

Technical Information

All product dimensions are nominal.

Installation type: For shower base installation

Opening Width - Min: 44-1/8" (1121 mm)

Opening Width - Max: 47-7/8" (1216 mm)

Walk-through - Min: 16-11/16" (424 mm)

Walk-through - Max: 19-11/16" (500 mm)

Base-To-Wall Radius - Max: 3/8" (10 mm)

Glass thickness: 3/8" (10 mm)

Glass coating: CleanCoat+

Notes

The vertical opening should be a minimum of 80" (2032 mm) to allow for installation clearance.