



Disinfecting Wipes Dispenser K-6382

Features

- Provides convenient single-wipe dispensing.
- Fits 30- to 35-count wipes.
- Silicone seal keeps wipes fresh.
- Easy one-touch lid opening.
- Made of rust-resistant brushed stainless steel.



Codes/Standards

None Applicable

KOHLER® One-Year Limited Warranty

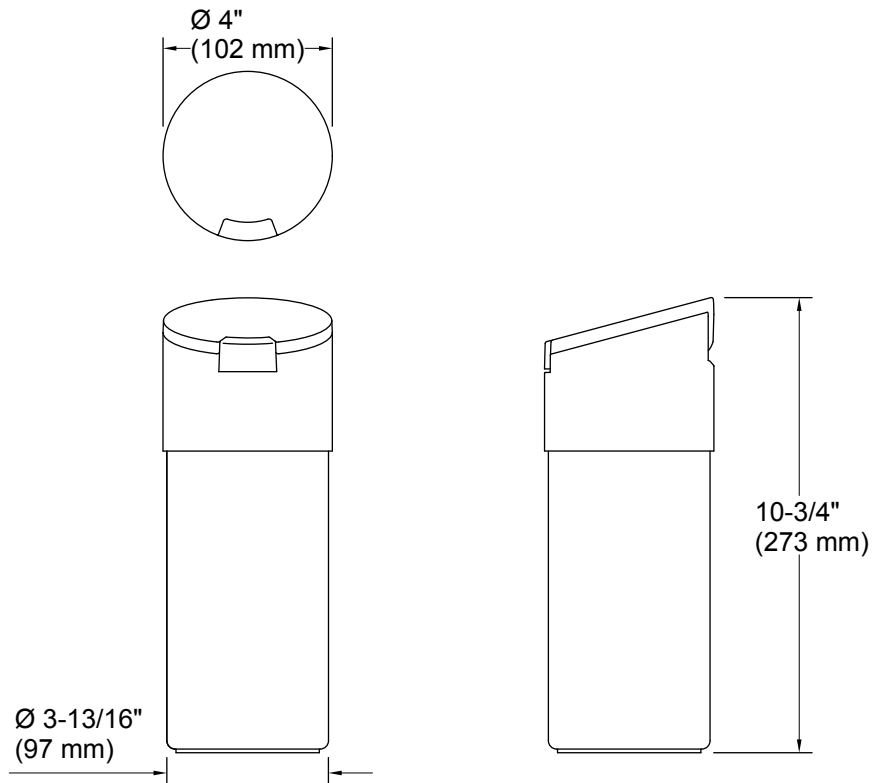
See website for detailed warranty information.

Available Colors/Finishes

Color tiles intended for reference only.

Color	Code	Description
-------	------	-------------

	0	White
--	---	-------



Technical Information

All product dimensions are nominal.

Material: Stainless Steel, Plastic