



# Underscore® Oval

72" x 42" heated whirlpool bath w/ center drain  
K-5718-JH

## Features

- Eight Flexjet® hydromassage jets can be individually adjusted for water flow and direction.
- Variable-speed pump for adjusting hydromassage intensity.
- Built-in heater.
- Slotted overflow allows for deep soaking.
- Oval basin creates a spacious bathing experience.
- Spacious design accommodates up to two bathers.
- Wide ledge on one side is ideal for deck-mount faucet and/or handshower.
- Integral lumbar support.
- Textured bottom surface.

## Material

- Acrylic.

## Installation

- Drop-in.
- Center drain.

## Required Products/Accessories

K-7271 Brass Slotted Overflow Bath Drain

or

K-7272 PVC Slotted Overflow Bath Drain

## Recommended Products/Accessories

K-1491 Bath/Whirlpool Pillow

K-1601 Bath/whirlpool footstop, removable

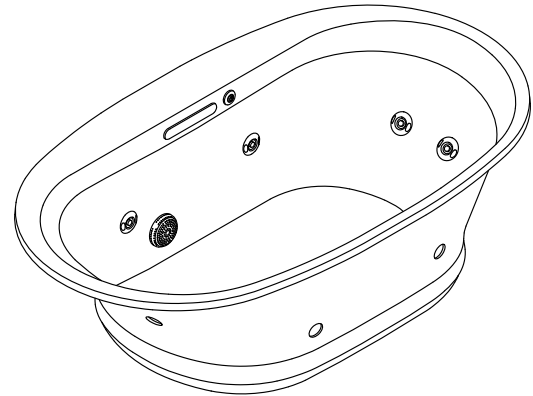
K-9498 3" Keypad Trim

K-24916 Wireless Music Kit

K-1705 Whirlpool/BubbleMassage™ Remote Control

K-1177 Vinyl Tiling-in Bead

K-886 Under-Mount Installation Kit



## Codes/Standards

ASME A112.19.7/CSA B45.10

CSA B45.5/IAPMO Z124

ASTM E162

ASTM E662

UL 1795






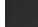
CSA C22.2 No. 218.2

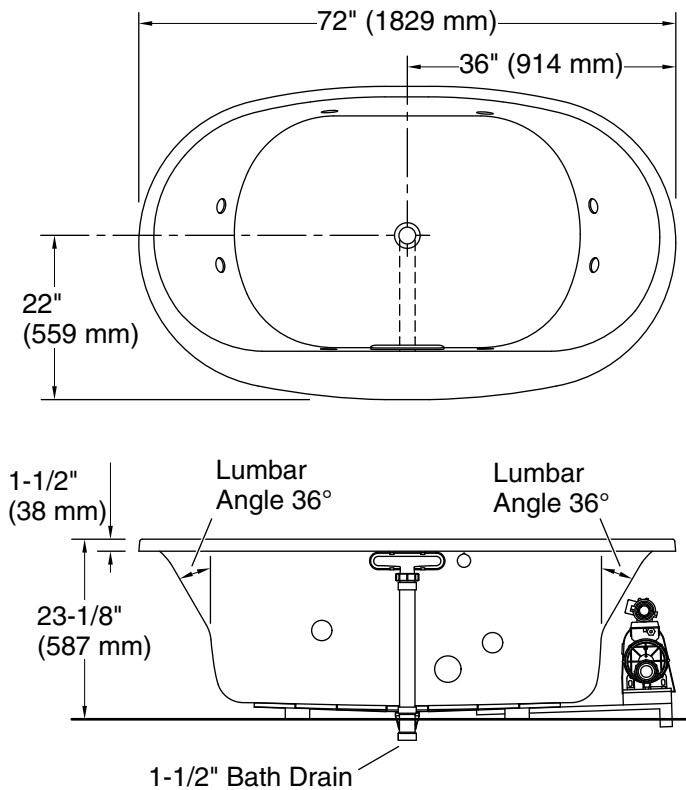
## KOHLER® Hydrotherapy Components Five-Year Limited Warranty

See website for detailed warranty information.

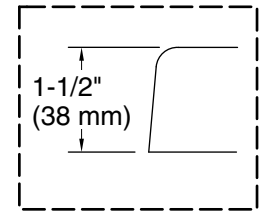
## Available Colors/Finishes

*Color tiles intended for reference only.*

Color	Code	Description
	0	White
	96	Biscuit
	NY	Dune
	95	Ice™ Grey
	58	Thunder™ Grey
	7	Black Black™

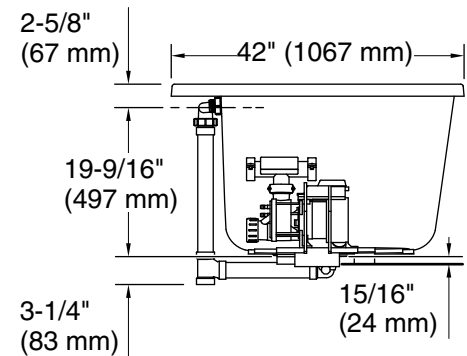


No change in measurements if connected with drain illustrated. (K-7272)



**Drop-in Rim Detail**

**Blower Motor Access**  
20" (508 mm) W x 15" (381 mm) H Min



### Required Electrical Service

Two dedicated circuits required, protected with Class A Ground-Fault Circuit-Interrupter (GFCI). Outside North America, this device may be known as a Residual Current Device (RCD).

Pump: 120 V, 15 A, 60 Hz  
Heater: 120 V, 15 A, 60 Hz

### Technical Information

All product dimensions are nominal.

Installation: Drop-in  
Drain location: Center  
Basin area, bottom: 46-3/8" x 31-3/16" (1178 mm x 792 mm)  
Basin area, top: 67-3/4" x 35-3/8" (1721 mm x 899 mm)  
Weight: 115 lbs (52.2 kg)  
Minimum floor load: 54.6 lbs/ft<sup>2</sup> (266.6 kg/m<sup>2</sup>)  
Water depth: 18-7/16" (469 mm)  
Water capacity: 111 gal (420.2 L)  
Electrical component rating: Pump: 120 V, 7 A, 60 Hz  
Heater: 120 V, 12 A, 60 Hz

### Notes

Measure your actual product for rough-in details.

Install this product according to the installation instructions.

The hot water supply should be 70% of the capacity of the bath or greater. Installations will vary.