



Iron/Tones®
 Top-/Under-Mount Kitchen Sink
K-5708

Features

- 30-inch minimum base cabinet width for top-mount installation.
- 33-inch minimum base cabinet width for under-mount
- Single bowl.
- 9-inch depth.
- No faucet holes.

Material

- KOHLER® enameled cast iron.

Installation

- Top-mount or under-mount.

Recommended Products/Accessories

- K-9000 P-Trap
- K-8801 Sink Strainer
- K-8799 Sink Strainer

Optional Products/Accessories

- K-8343 Sink Rack



Codes/Standards

ASME A112.19.1/CSA B45.2

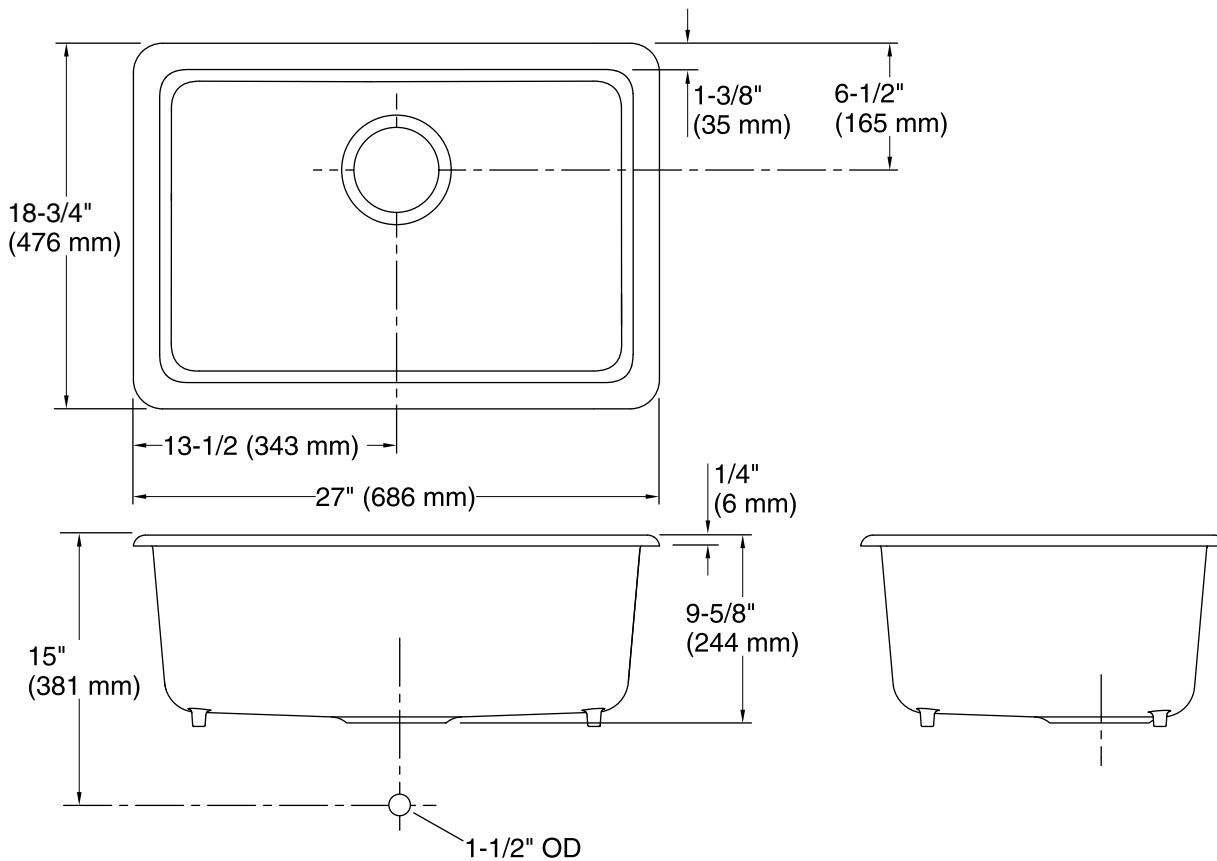
KOHLER® Enameled Cast Iron Kitchen Sink Lifetime Limited Warranty

See website for detailed warranty information.

Available Colors/Finishes

Color tiles intended for reference only.

| Color | Code | Description |
|-------|------|---------------|
| | 0 | White |
| | FF | Sea Salt™ |
| | 96 | Biscuit |
| | 47 | Almond |
| | FD | Cane Sugar™ |
| | NY | Dune |
| | 95 | Ice™ Grey |
| | G9 | Sandbar |
| | 33 | Mexican Sand™ |
| | K4 | Cashmere |
| | FT | Basalt |
| | 58 | Thunder™ Grey |
| | 20 | Suede |
| | KA | Black 'n Tan |
| | FP | Caviar |
| | 7 | Black Black™ |



Technical Information

All product dimensions are nominal.

| | |
|--------------------------|--|
| Installation: | Under-mount, Top-mount |
| Min. base cabinet width: | 33" (838 mm) |
| Bowl area (Only): | Length: 24-5/16" (617 mm) Width: 16-1/16" (408 mm) Bowl depth: 9" (229 mm) Water depth: 9" (229 mm) |
| Drain hole: | 3-7/8" (98 mm) |
| Template: | 1281370-7, required, included |

Notes

Install this product according to the installation instructions.

Countertop manufacturer or cutter must use the cut-out template provided with the product, or a current one provided by Kohler Co. (call 1-800-43-FOCUS). Kohler Co. is not responsible for cut-out errors when the incorrect cut-out template is used.