

Features

- Fits in the left bowl of the K-8185-1 and K-RH8185-1 Kennon kitchen sinks.
- Comes included with the K-8185-1 Kennon kitchen sink.
- Durable stainless steel construction.
- Innovative wheels around the perimeter provide a secure fit and reduce debris buildup.
- Helps protect sink surface from daily wear.
- Dishwasher safe.



Codes/Standards


None Applicable

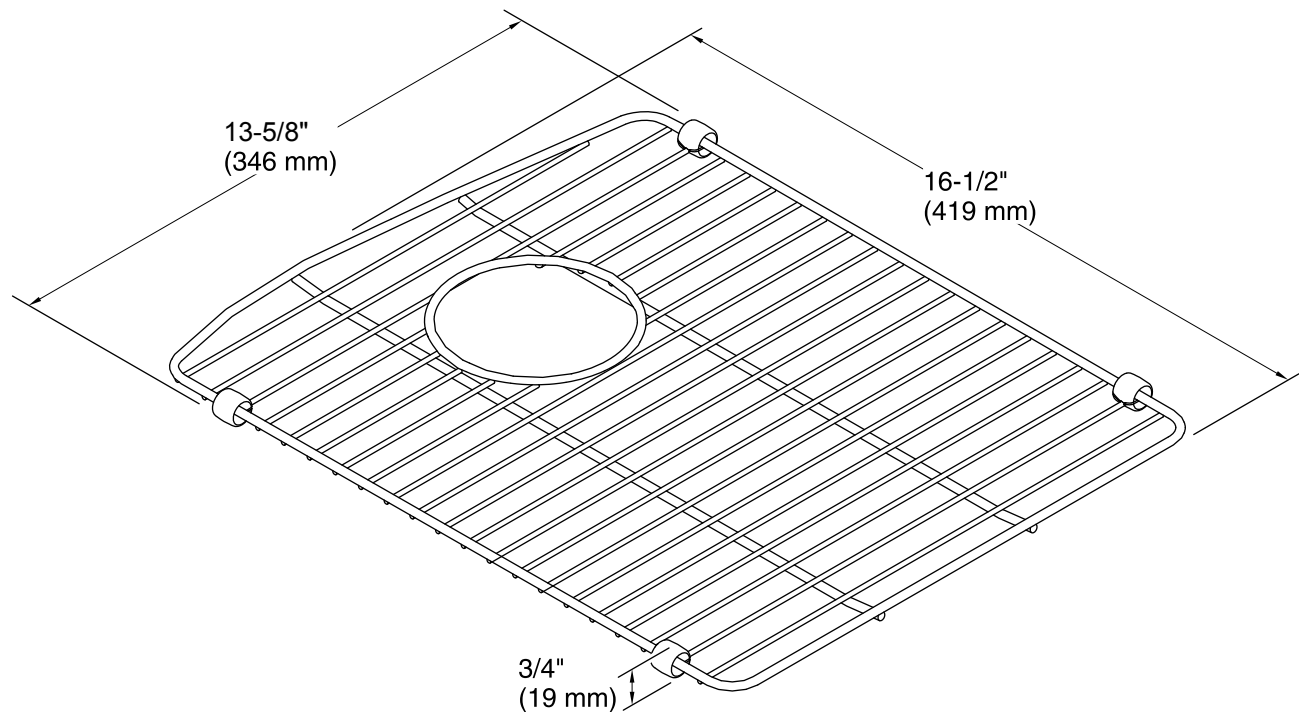
KOHLER® One-Year Limited Warranty

See website for detailed warranty information.

Available Colors/Finishes

Color tiles intended for reference only.

| Color | Code | Description |
|--|------|-----------------|
|  | ST | Stainless Steel |



Technical Information

All product dimensions are nominal.

Material: Stainless Steel