

### Features

- Finishes resists moisture, scratches, and stains.
- One door and two drawers.
- Three-way adjustable slow-close door hinges with 100-degree opening capability for easy cabinet access.
- Slow-close, full extension, under-mount drawer slides for smooth opening.
- Includes decorative cabinet hardware.
- Industry-standard sizing coordinates with Ceramic/Impressions®, Iron/Impressions™, or Solid/Expressions™ tops (sold separately).
- Coordinates with other products in the Tresham collection.

### Material

- Solid wood and veneers.

### Recommended Products/Accessories

K-3051-1 Vanity-top Bathroom Sink  
K-3051-8 Vanity-top Bathroom Sink  
K-2798-1 Vanity Top Bathroom Sink  
K-2798-8 Vanity Top Bathroom Sink  
K-2781-1 Vanity Top Bathroom Sink  
K-2781-8 Vanity Top Bathroom Sink  
K-5423 Bathroom Vanity Top  
K-5457 Bathroom Vanity Top  
K-5438 Bathroom Vanity Top  
K-3051-4 Vanity-top Bathroom Sink

### Optional Products/Accessories

K-5446 Bathroom Vanity Top - Back Splash



### Codes/Standards

EPA TSCA Title VI  
CARB P2

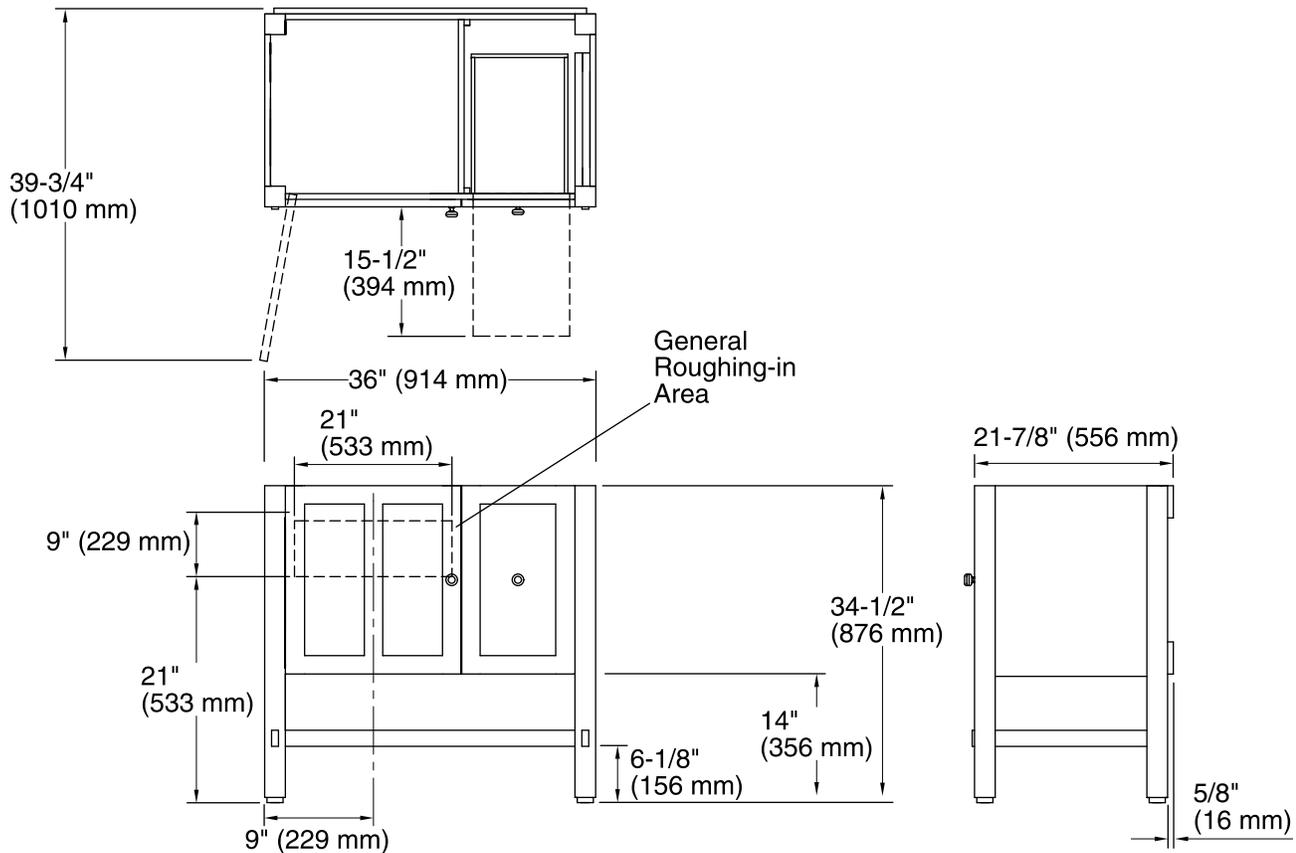
### KOHLER® One-Year Limited Warranty

See website for detailed warranty information.

### Available Colors/Finishes

*Color tiles intended for reference only.*

Color	Code	Description
	1WA	Linen White
	F69	Woodland
	1WT	Mohair Grey



### Technical Information

All product dimensions are nominal.

Vanity type: Standard

### Notes

Install this product according to the installation guide.

The finished wall must be straight and plumb to ensure proper support of the vanity and alignment of the sink and door.

To properly support the weight of the vanity and sink, secure to stud framing or 2x6 bracing behind the finished wall.

Select 250 lb (113.4 kg) load bearing 5/16" lag bolts with a length to clear obstacles in the wall and 5/16" washers.