

Features

- 5-1/2 (140 mm) centers.
- 1-3/8 (35 mm) spout reach.
- 1/4-turn full brass ceramic valve.
- 2.0 gal/min (7.6 l/min) maximum flow rate [max at 60 psi (4.14 bar)].
- Vandal-resistant aerator.
- 4-1/16" vandal-proof metal wristblade lever handles.
- Includes pop-up drain with lift rod and tailpiece.

Material

- Solid brass construction with thick chrome plating for rough commercial applications.

Installation

- Includes yoke for shelf-back installation.

Recommended Products/Accessories

- K-23726 Drain treatment
- K-23723 Faucet cleaner



ADA

CSA B651

OBC

Codes/Standards

ASME A112.18.1/CSA B125.1
NSF/ANSI 61
NSF/ANSI 372
All applicable US Federal and State material regulations
DOE - Energy Policy Act 1992
ADA
ICC/ANSI A117.1
CSA B651
OBC

KOHLER® One-Year Limited Warranty

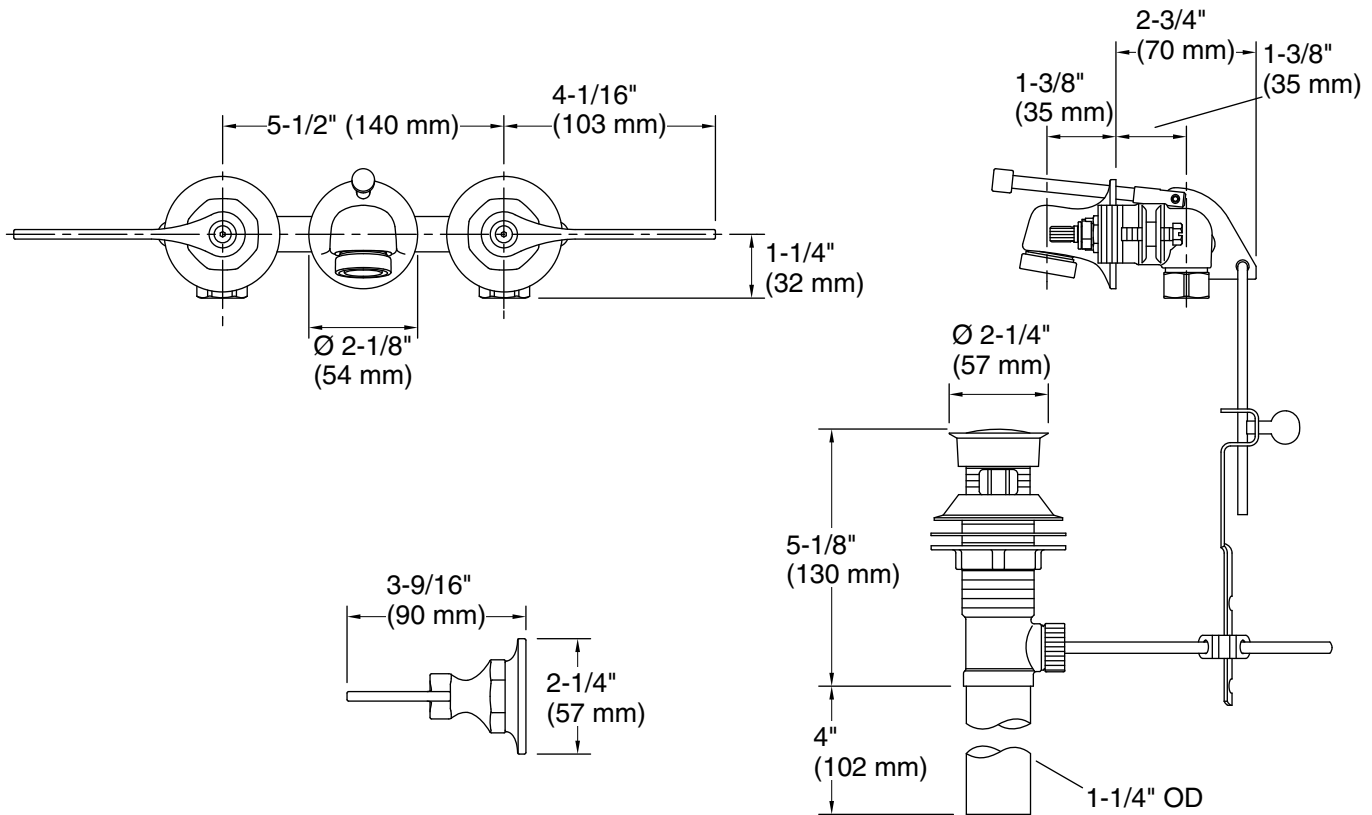
See website for detailed warranty information.

Available Colors/Finishes

Color tiles intended for reference only.

Color	Code	Description
-------	------	-------------

	CP	Polished Chrome
--	----	-----------------



Technical Information

All product dimensions are nominal.

Faucet:

Flow rate: 2 gal/min (7.6 l/min)
 Pressure: 60 psi (4.1 bar)
 Valve body: Cast brass
 Drain included: Yes

Spout:

Spout reach: 1-3/8" (34 mm)
 Handle clearance: 3" (76 mm)

Notes

Install this product according to the installation instructions.

ADA, OBC, CSA B651 compliant when installed to the specific requirements of these regulations.