

### Features

- Washout urinal.
- 3/4" (190 mm) top spud.
- One gallon or less per flush.

### Material

- Vitreous china.

### Recommended Products/Accessories

- K-10675 WAVE DC 0.5 GPF Urinal Flushometer
- K-10676 WAVE DC 1.0 GPF Wshdwn Flushometer
- K-10958 Tripoint™ DC 0.5 GPF Urinal Flushometer
- K-10960 Tripoint™ DC 1.0 GPF Wshdwn Flushometer
- K-13518 Manual 1.0 GPF Wshdwn Flushometer
- K-13519 Manual 0.5 GPF Urinal Flushometer
- K-4931 Urinal Seam Cover
- K-4932 Urinal Seam Cover
- K-9172 Urinal Strainer
- K-9183 Urinal Strainer



ADA CSA B651

### Codes/Standards





ASME A112.19.2/CSA B45.1  
DOE - Energy Policy Act 1992  
ADA  
ICC/ANSI A117.1  
CSA B651

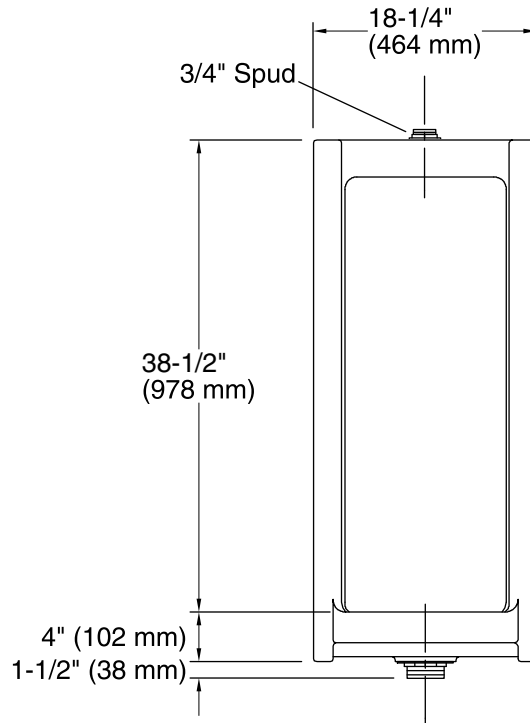
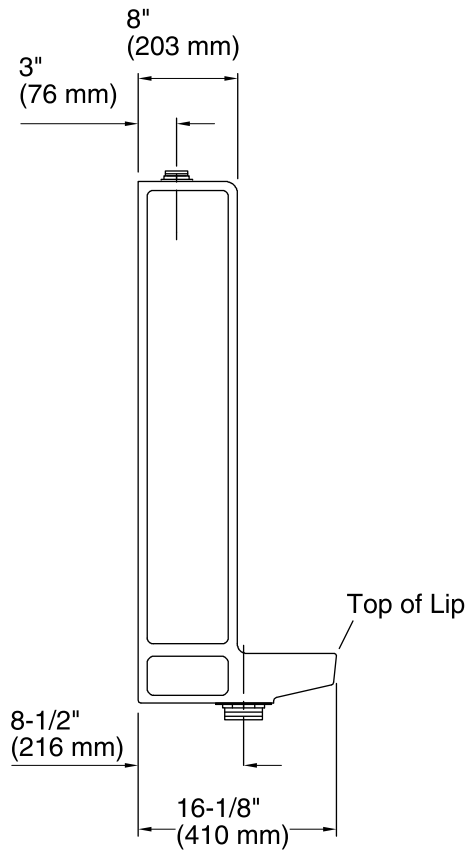
### KOHLER® One-Year Limited Warranty

See website for detailed warranty information.

### Available Colors/Finishes

*Color tiles intended for reference only.*

Color	Code	Description
	0	White
	96	Biscuit
	47	Almond
	7	Black Black™



### Technical Information

All product dimensions are nominal.

Spud size: 3/4", Inlet, Top

### Notes

Install this product according to the installation guide.

Refer to manufacturer's instructions and local codes for flushometer requirements.

ADA, CSA B651 compliant when installed to the specific requirements of these regulations.