

## Features

- 3-15/16" (100 mm) spout reach
- 0.5 gpm (1.9 lpm) maximum flow rate
- Water-saving vandal-resistant aerator
- Single lever handle allows for both on/off activation and temperature setting
- High-temperature limit setting for added safety
- KOHLER ceramic disc valves exceed industry longevity standards for a lifetime of durable performance
- Less grid drain, lift rod, lift rod hole

## Material

- Premium metal construction for durability and reliability
- KOHLER finishes resist corrosion and tarnishing

## Installation

- Single-hole installation (escutcheon plate sold separately)
- Preattached flexible supply lines simplify installation

## Recommended Products/Accessories

K-23726 Drain treatment  
K-23723 Faucet cleaner

## Optional Products/Accessories

1394616



ADA

CSA B651

OBC

## Codes/Standards

ASME A112.18.1/CSA B125.1  
NSF/ANSI/CAN 61  
NSF/ANSI/CAN 372  
All applicable US Federal and State material regulations  
DOE - Energy Policy Act 1992  
California Energy Commission (CEC)  
ADA  
ICC/ANSI A117.1  
CSA B651  
OBC

## KOHLER® Faucet Lifetime Limited Warranty

See website for detailed warranty information.

## Available Colors/Finishes

*Color tiles intended for reference only.*

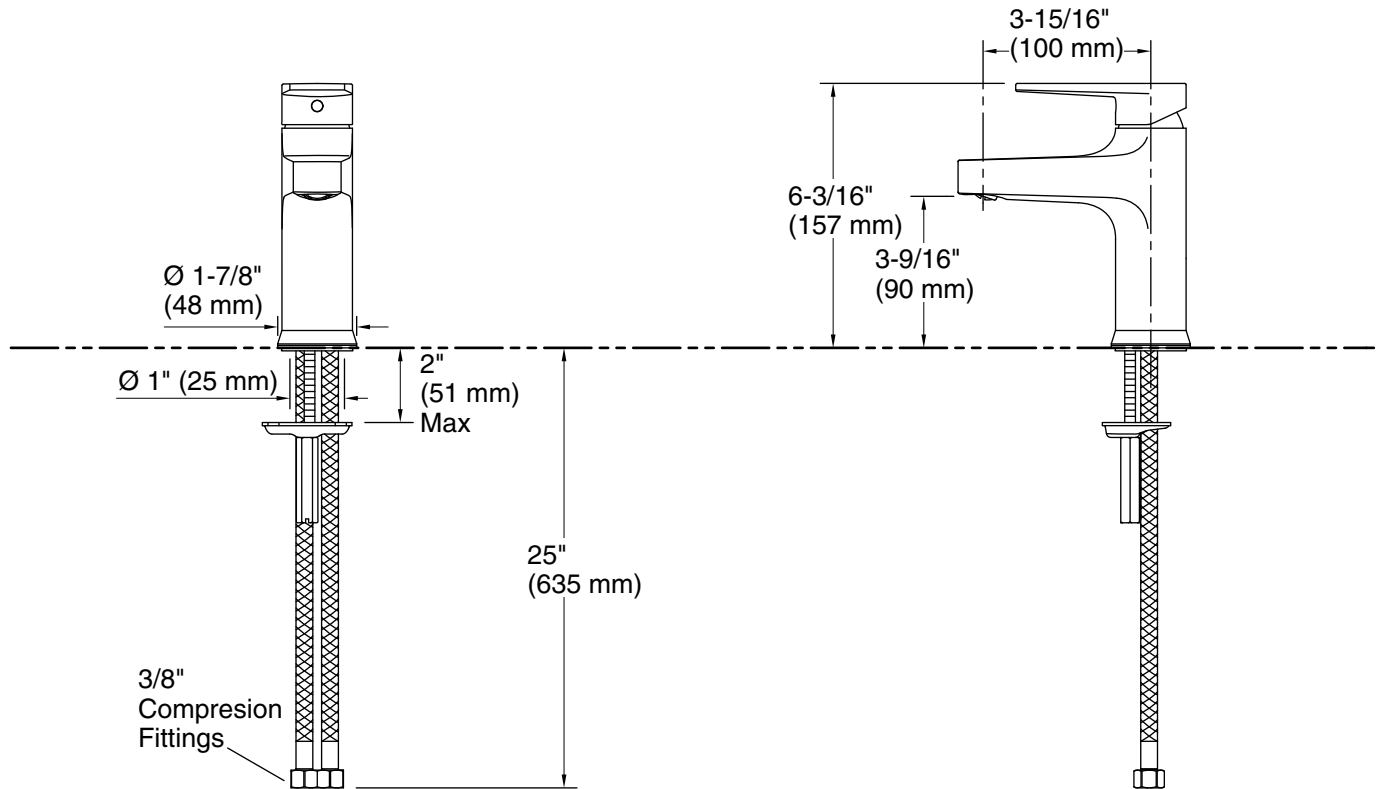
| Color | Code | Description |
|-------|------|-------------|
|-------|------|-------------|



CP Polished Chrome



BN Vibrant® Brushed Nickel



## Technical Information

All product dimensions are nominal.

### Faucet:

Flow rate: 0.5 gal/min (1.9 l/min)

Pressure: 60 psi (4.1 bar)

Drain included: No

### Spout:

Spout reach: 3-15/16" (100 mm)

## Notes

Install this product according to the installation instructions.

ADA compliant for handles only.

ADA, OBC, CSA B651 compliant when installed to the specific requirements of these regulations.