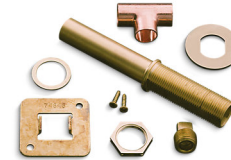




Stillness®
Bath Filler Spout Shank
K-411-K

Features

- Brass construction.
- For use with K-8359 floor-mount, K-956 Stillness, and K-14430 Purist® bath filler spouts.
- Bath- or deck-mount installation

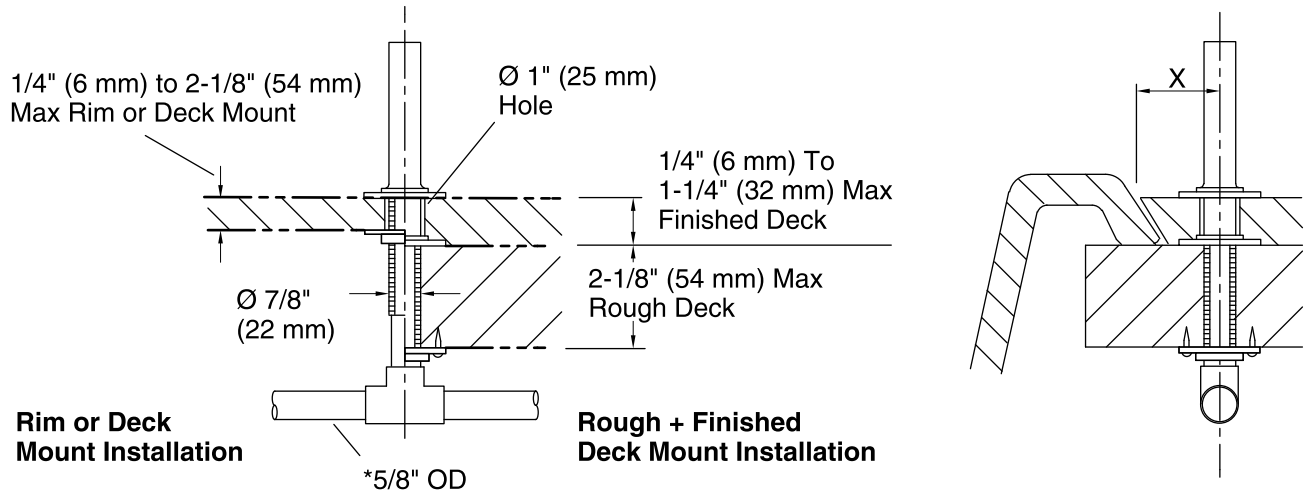


Codes/Standards

None Applicable

**KOHLER® Faucet Lifetime Limited
Warranty**

See website for detailed warranty information.



* Indicates items to be supplied by installer.

X= Distance from centerline of spout inlet to front of spout base plus $1/2''$ (13 mm).

Technical Information

All product dimensions are nominal.

Material: Brass

Notes

Install this product according to the installation guide.