

### Features

- Integrated push-button diverter provides simple, intuitive control of two shower outlets.
- Ability to run each outlet individually or at the same time.
- Sleek, minimalist design.
- Easy-to-use temperature dial control.
- Suitable for dual shower applications.
- Duration/Countdown feature.
- Digital thermostatic valve technology guarantees accurate and safe temperature control.
- Adjustable high-temperature limit for added safety.
- Compatible with the KOHLER Mode app featuring Bluetooth® wireless technology to provide remote on/off capability and setting adjustments.

### Installation

- Surface-mount.

### Required Products/Accessories

K-528-PM Two-port digital thermostatic valve

### Recommended Products/Accessories

K-23723 Faucet cleaner

### Included Components

Additional Components:

Adapter cable  
Mounting hardware  
RJ11 Extension Cable 20 ft  
RJ11 connector  
Removal tool



### Codes/Standards

UL 1951  
CSA C22.2 No. 14  
CSA C22.2 No. 68

### KOHLER® Electronic Faucets, Valves, and Controls Five-Year Limited Warranty

See website for detailed warranty information.

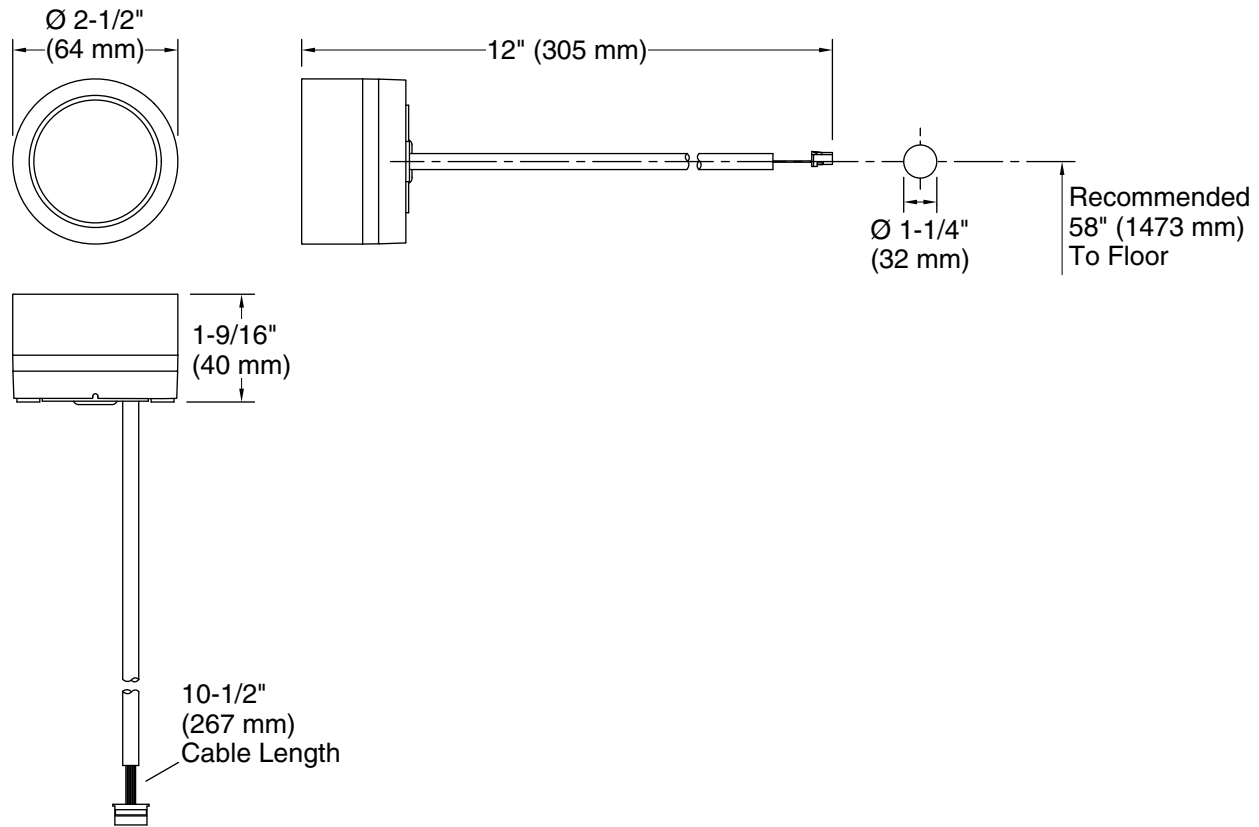
The BLUETOOTH® word mark and logos are registered trademarks owned by Bluetooth SIG, Inc. and any use of such marks by Kohler Co. is under license. Other trademarks and trade names are those of their respective owners.

### Available Colors/Finishes

*Color tiles intended for reference only.*

Color	Code	Description
-------	------	-------------

	CP	Polished Chrome
--	----	-----------------



### Technical Information

All product dimensions are nominal.

Drain included:	No
Bluetooth® range:	32 ft (0.8 m)
Bluetooth® version:	4.1
Max. Ambient temp:	125°F (51.7°C)
Min. Operating temp:	120°F (48.9°C)
Max. Operating temp:	86°F (30°C)
Max. Relative humidity condensing:	100%

### Notes

Install this product according to the installation instructions.