

Features

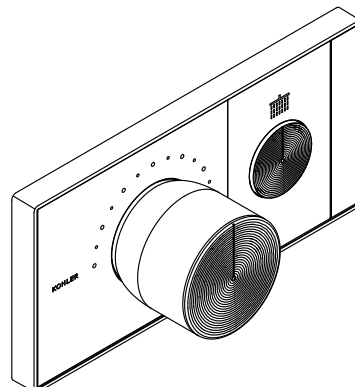
- Trim plate includes temperature control knob with integrated adjustable high-temperature limit stop and shower outlet on/off button.
- When pressed once, shower outlet turns on and button pops out, becoming a knob for water flow adjustment.
- When pressed back in, water turns off and outlet button aligns with control plate surface; flow setting remains intact.
- High-temperature limit setting for added safety.
- Low-profile design with easy-to-clean water-resistant casing.
- Requires one-port thermostatic valve with integral volume control (sold separately).
- Handles up to 7 gpm (26.5 lpm) flow capacity (rate may vary by installation).

Installation

- Mounts on finished wall surface.

Required Products/Accessories

K-26339 One-port thermostatic valve w/ integral volume control

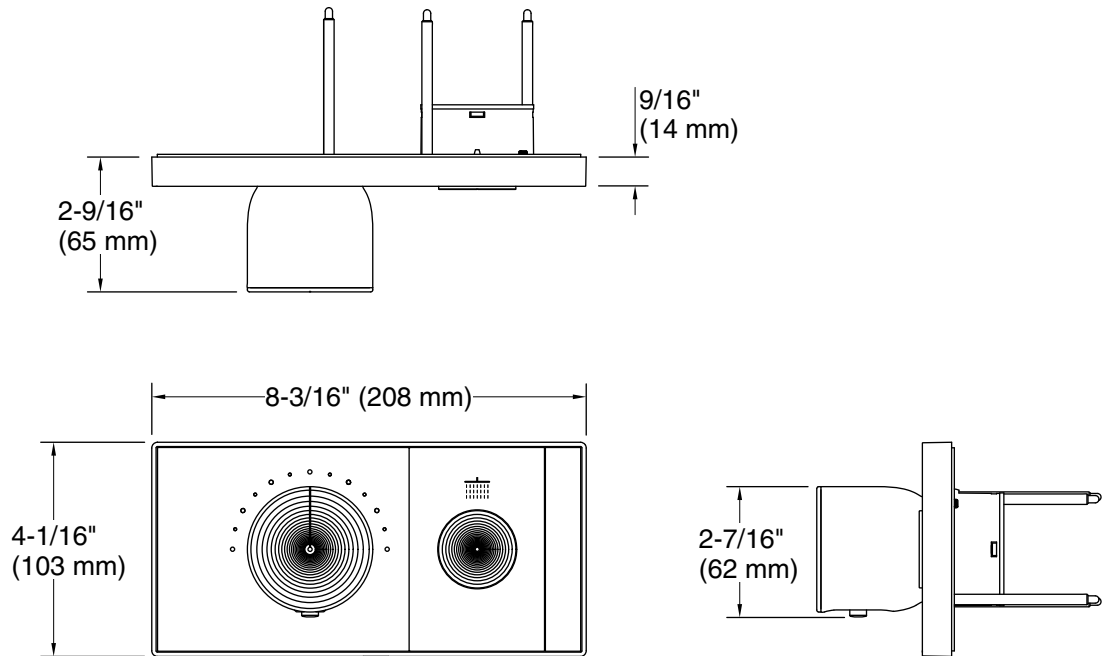


Codes/Standards

ASME A112.18.1/CSA B125.1

KOHLER® One-Year Limited Warranty

See website for detailed warranty information.



Technical Information

All product dimensions are nominal.