

### Features

- Single-function round rainhead features Full Coverage with Katalyst® technology, a drenching spray experience ideal for rinsing shampoo from hair.
- MasterClean™ sprayface features an easy-to-clean surface that withstands mineral buildup.
- Optimized sprayface for maximum performance.
- 1.75 gpm (6.6 lpm) maximum flow rate at 80 psi (5.5 bar).

### Material

- Premium material construction for durability and reliability.
- KOHLER finishes resist corrosion and tarnishing.

### Technology

- Katalyst® air-induction technology infuses water with air, creating bigger drops for a more powerful spray.

### Installation

- 1/2 -14 NPT connection.
- Requires single-function rainhead shower arm and flange (sold separately).

### Water Conservation & Rebates

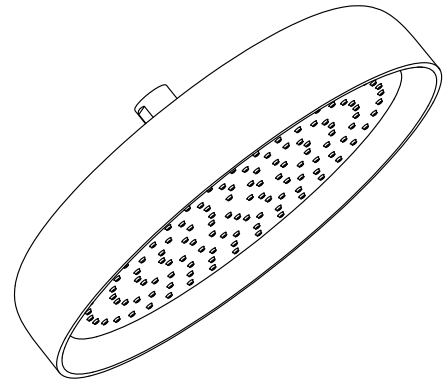
- This product can help a building earn Water Efficiency points in LEED® Green Building Rating System.

### Required Products/Accessories

- K-26319 3" ceiling-mount rainhead arm and flange
- or
- K-26320 6" ceiling-mount rainhead arm
- or
- K-26321 12" ceiling-mount rainhead arm and flange
- or
- K-26322 16" wall-mount rainhead arm and flange
- or
- K-26307 19" wall-mount rainhead arm and flange

### Recommended Products/Accessories

- K-23723 Faucet cleaner

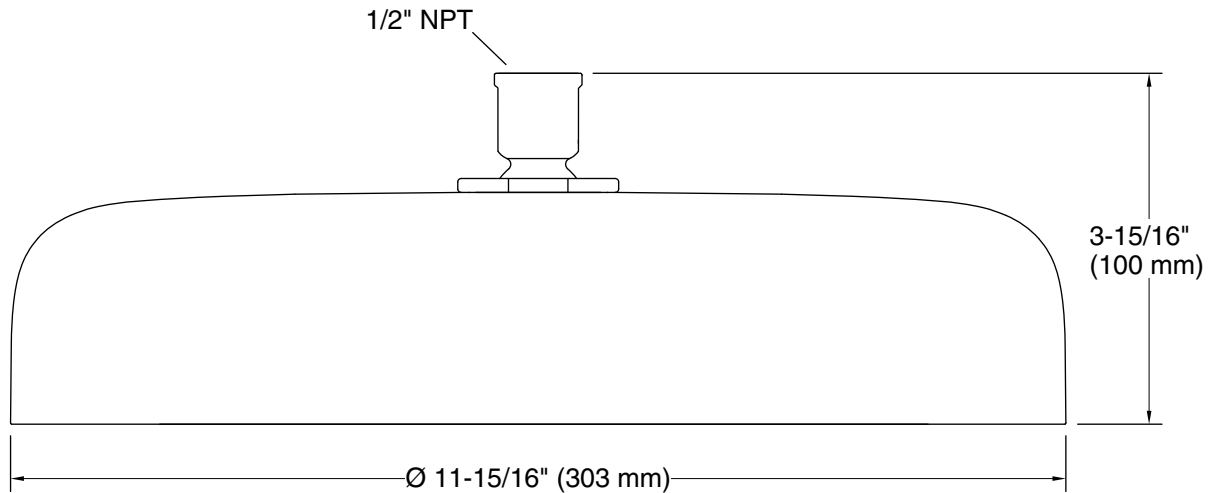


### Codes/Standards

ASME A112.18.1/CSA B125.1  
DOE - Energy Policy Act 1992  
EPA WaterSense®  
California Energy Commission (CEC)

### KOHLER® Faucet Lifetime Limited Warranty

See website for detailed warranty information.



**Technical Information**

All product dimensions are nominal.

**Showerhead/Body Spray:**

Rated maximum flow: 1.75 gal/min (6.6 l/min)

Pressure: 80 psi (5.5 bar)